



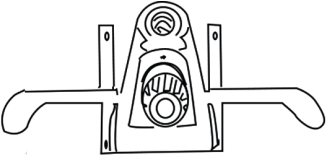
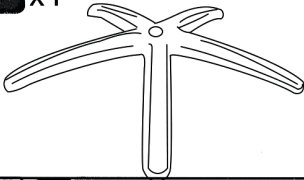


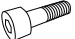






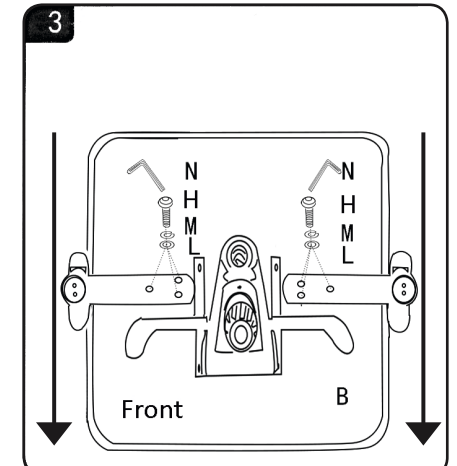
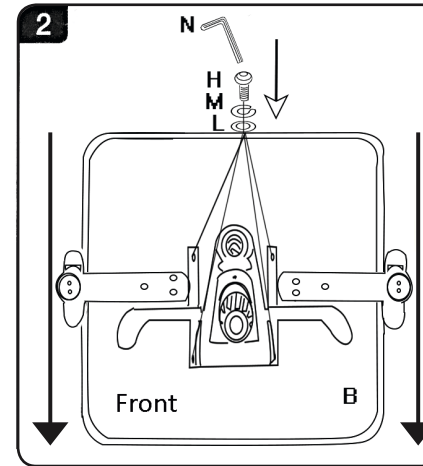
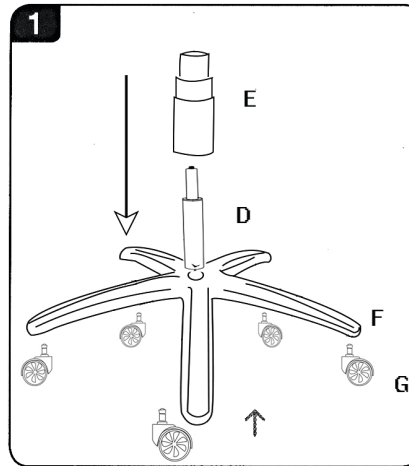


| | |
|---|--|
| A x1 | D x1 |
|  |  |
| B x1 | E x1 |
|  |  |
| C x1 | F x1 |
|  |  |
| O x4 | G x5 |
|  |  |
| | H x10 |
| |  M8X20 mm |
| | I x4 |
| |  M8X25 mm |
| | J x2 |
| |  |
| | K x2 |
| |  M5X8 mm |
| | L x14 |
| |  |
| | M x14 |
| |  |
| | N x1 |
| |  |



Cleaning:
 → If you experience any stains on the chair, please apply regular leather polish onto a soft towel and rub it on the stain, until it dissolves.
Note: Do not apply leather polish directly on the chair!

