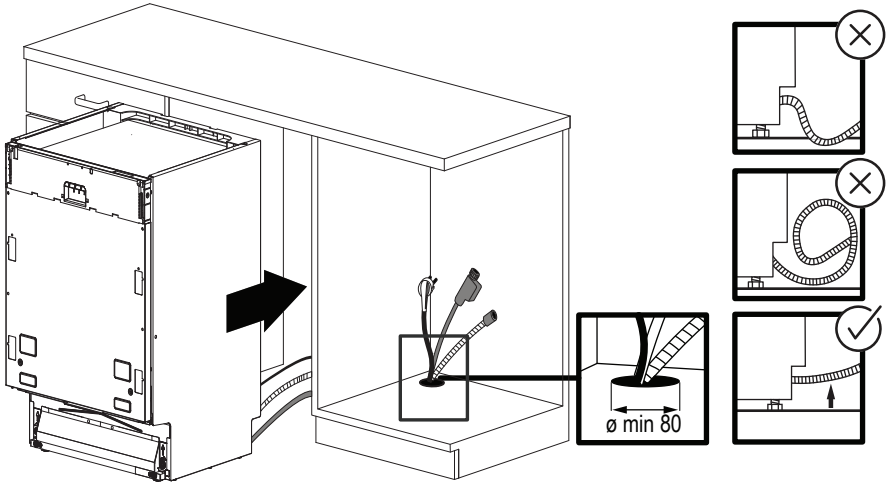
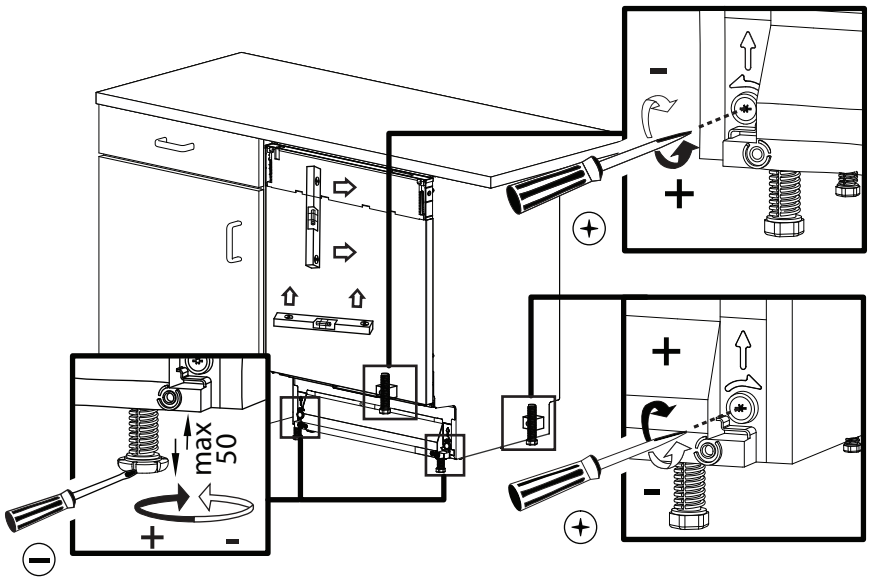
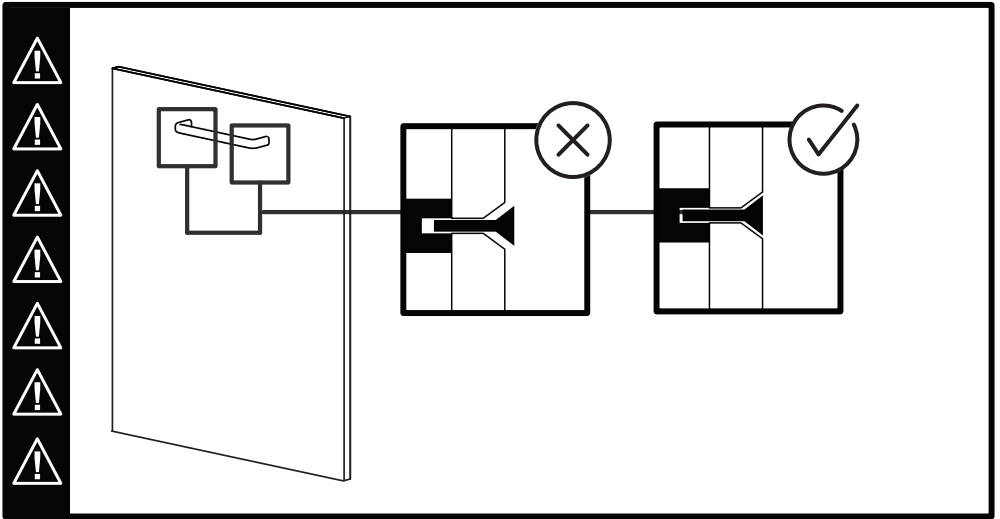


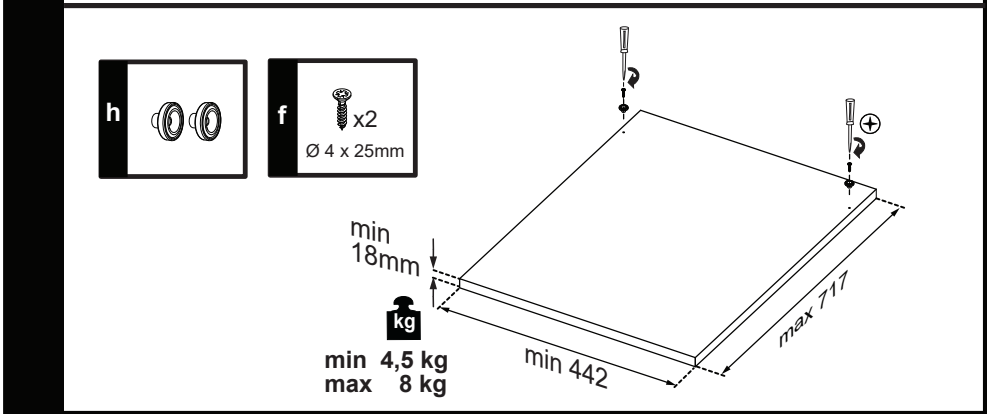
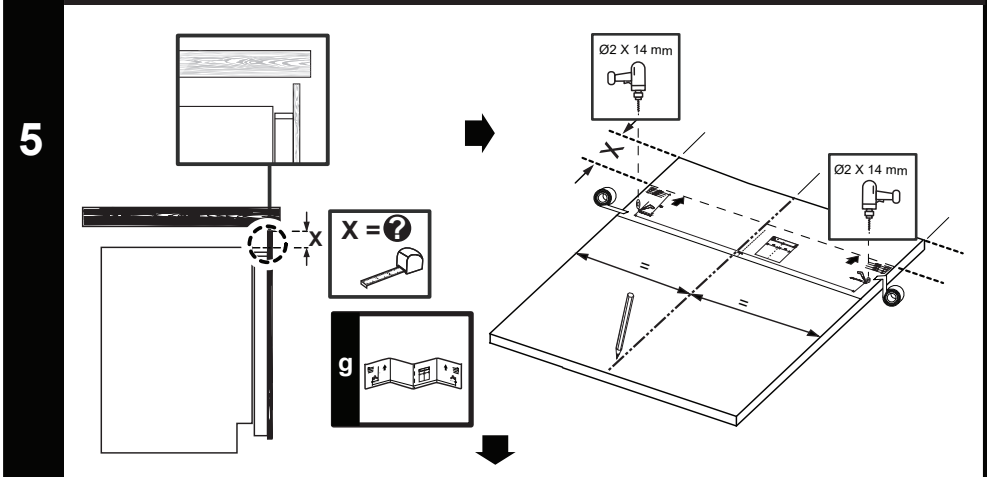
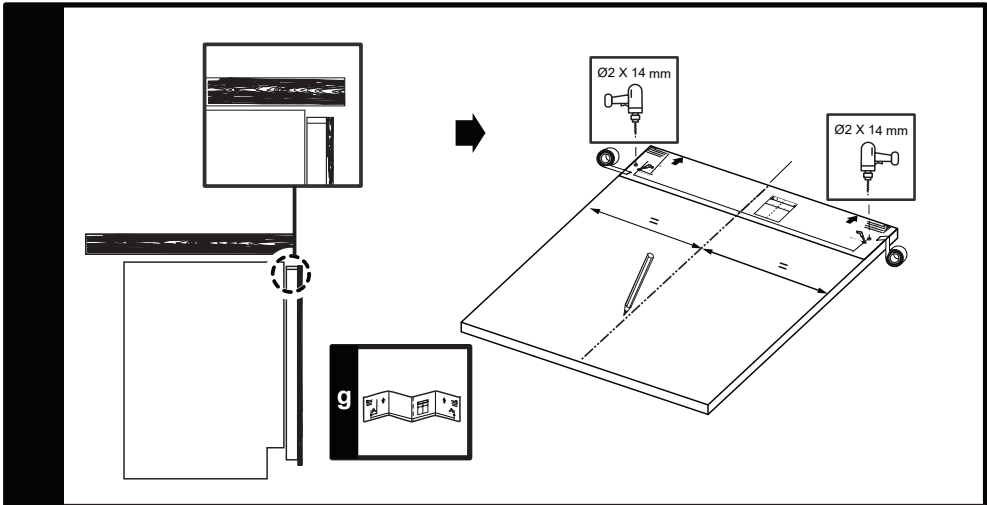
3



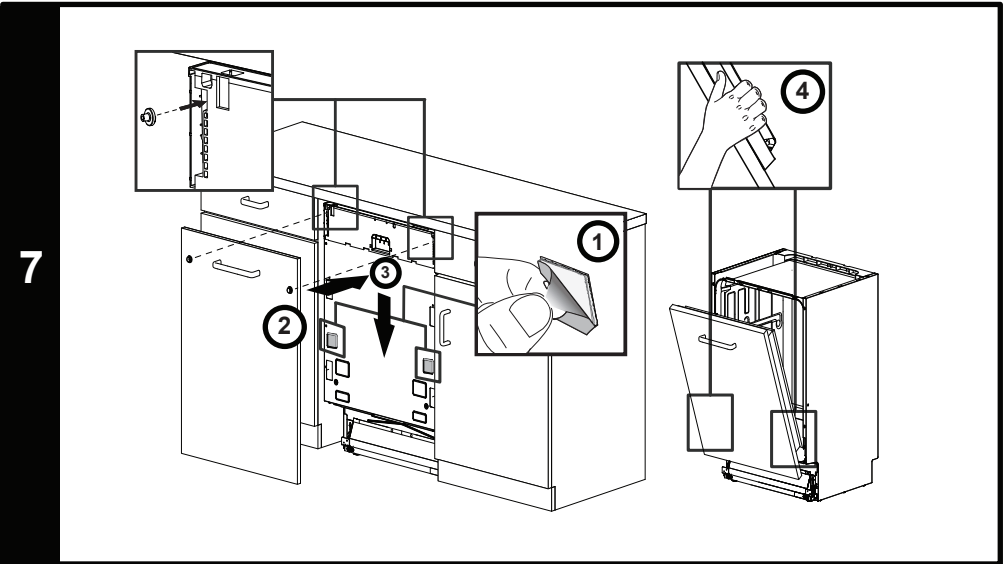
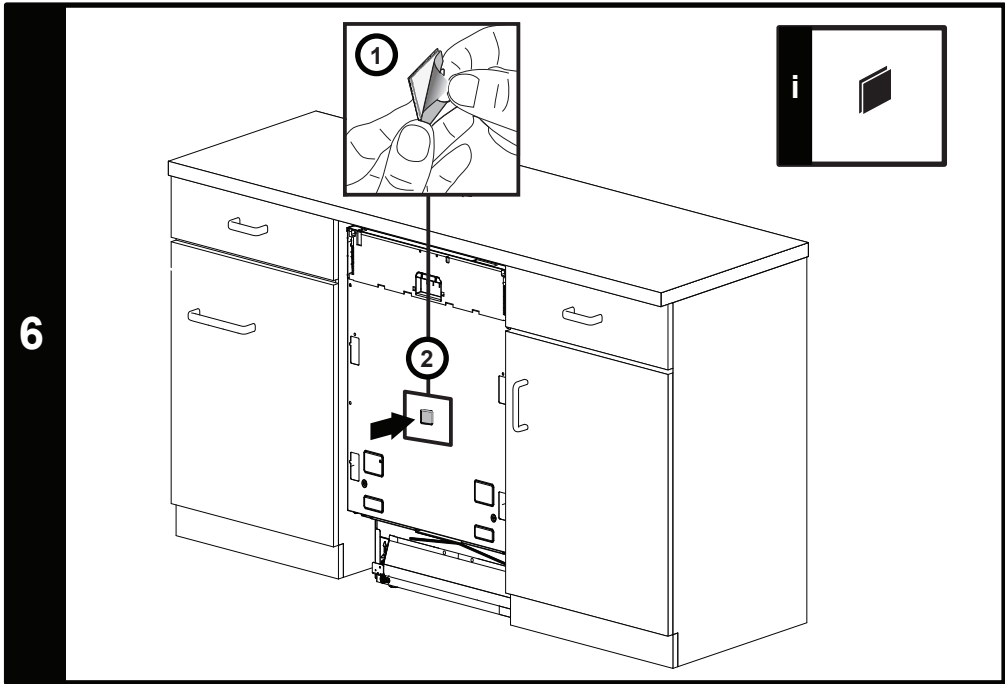
4

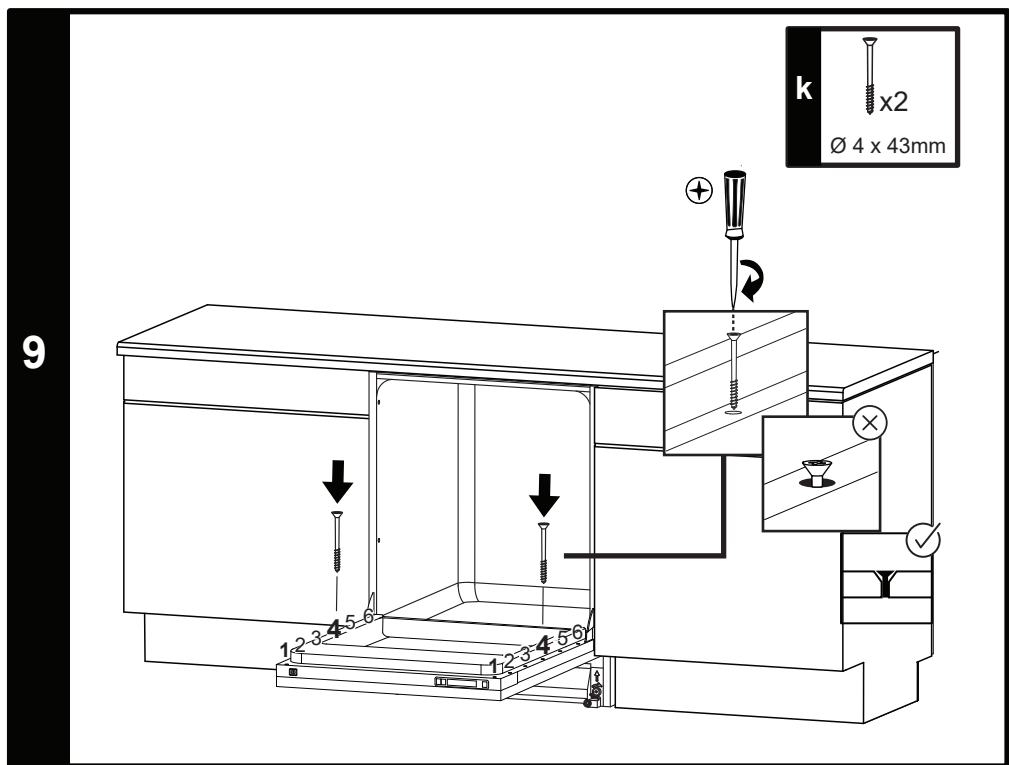
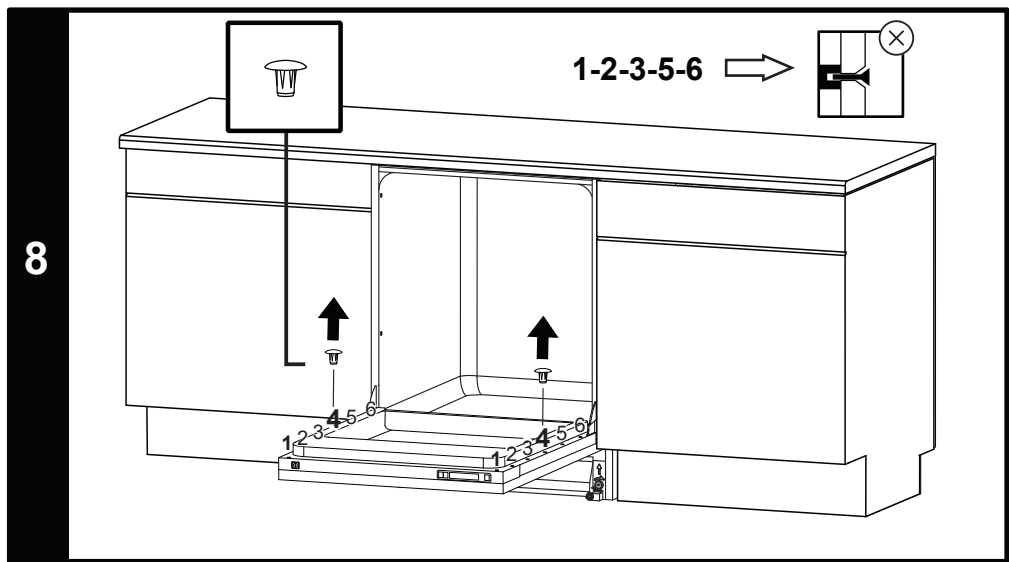




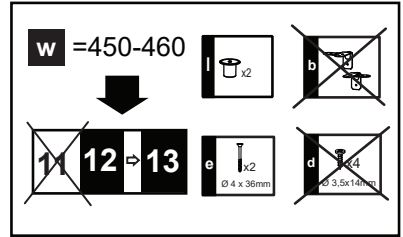
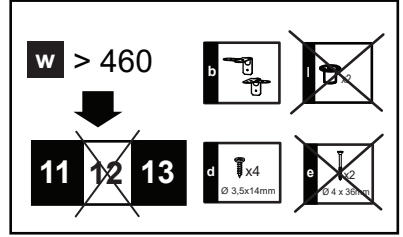
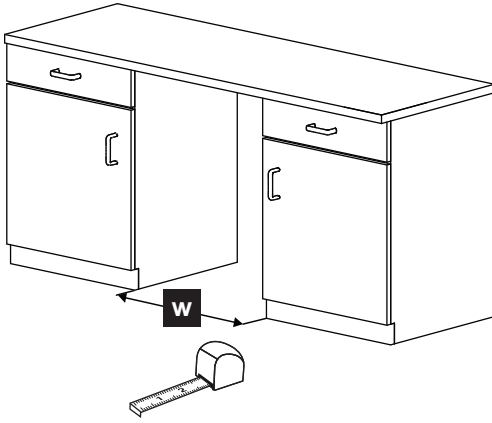


5

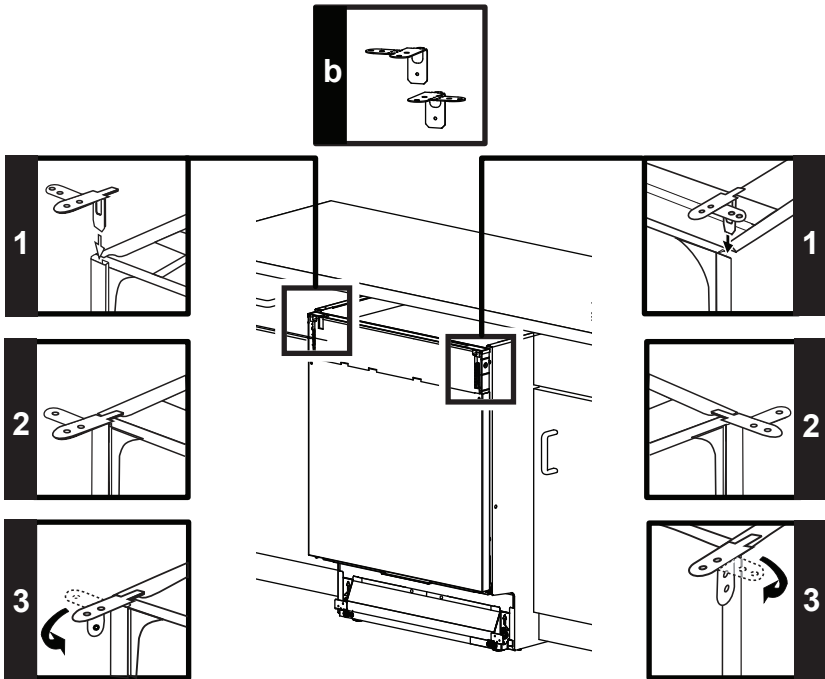




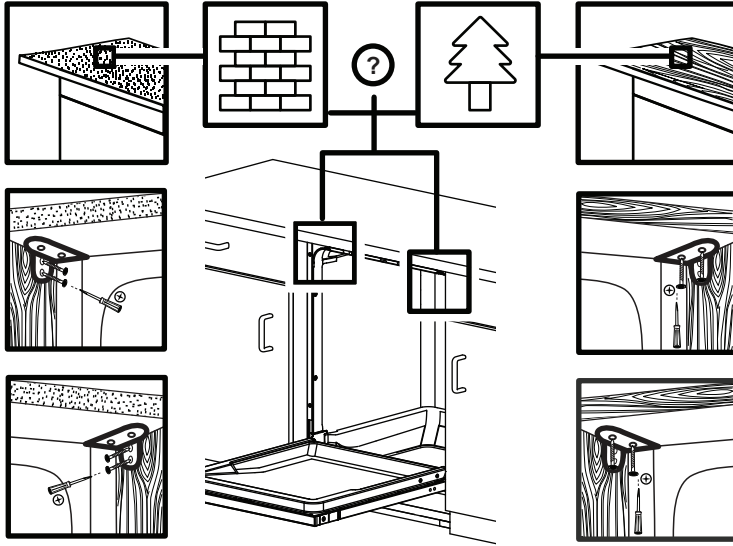
10



11
—
a

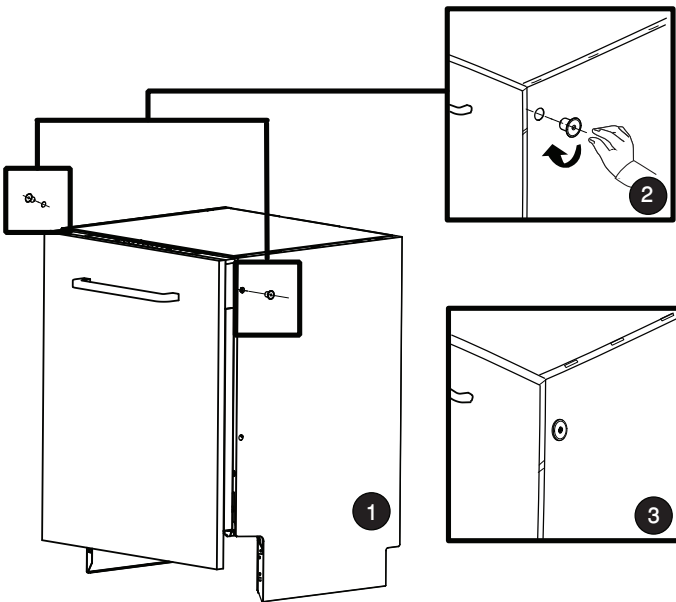


11
b



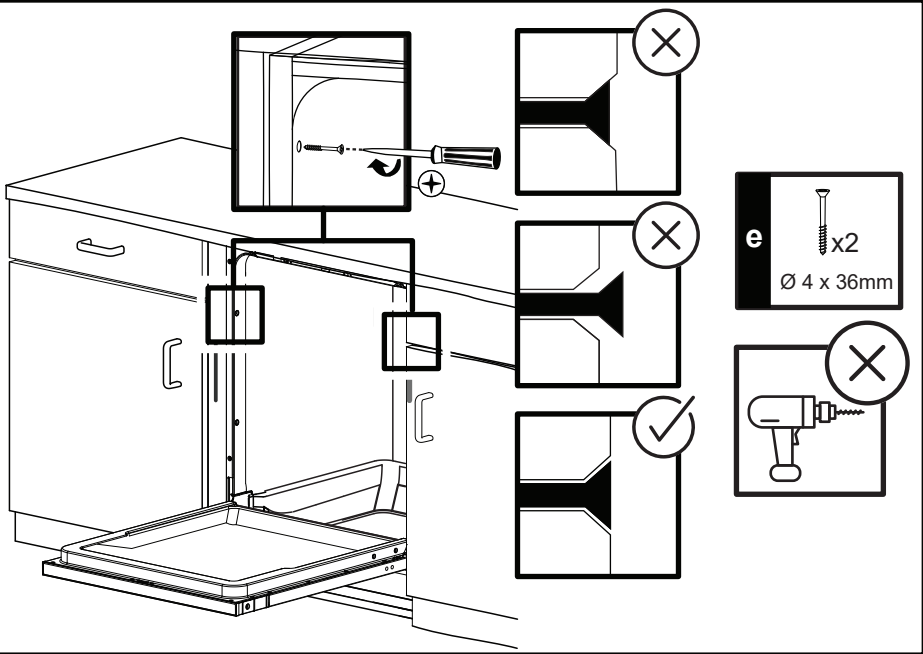
d
x4
Ø 3,5x14mm

12
a



x2

12
b



13

