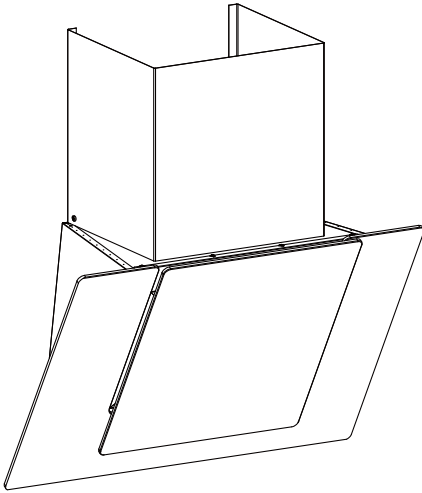


Hisense



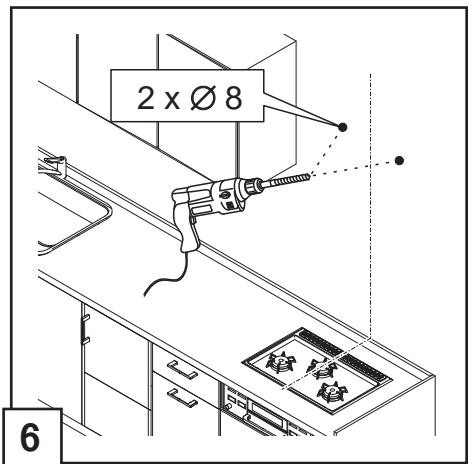
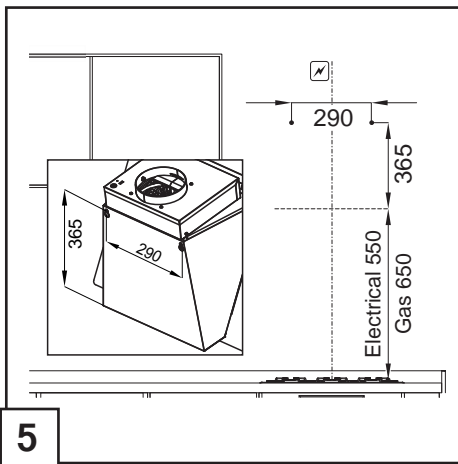
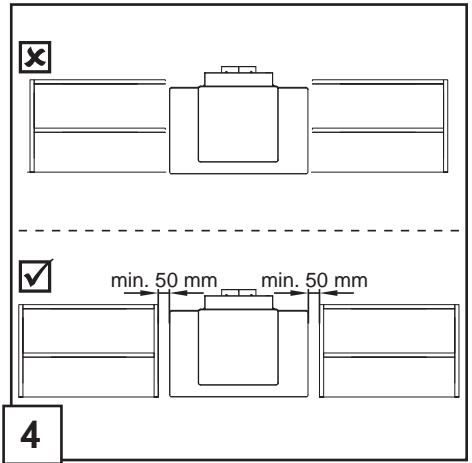
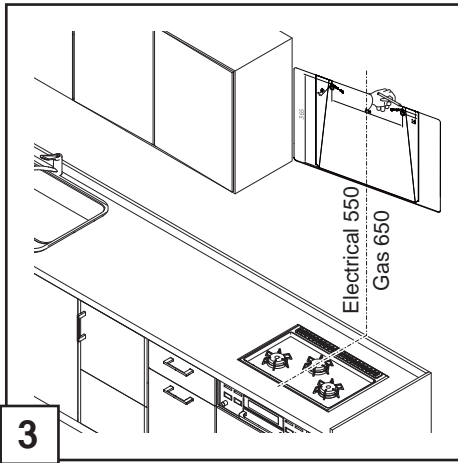
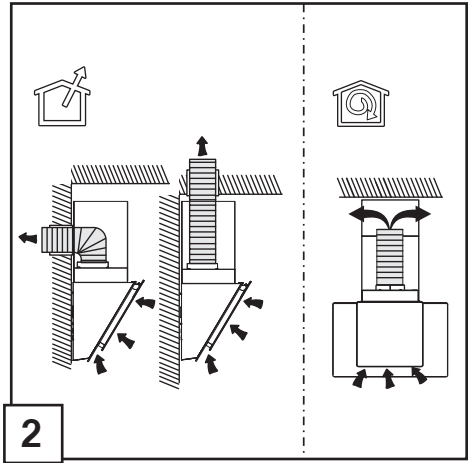
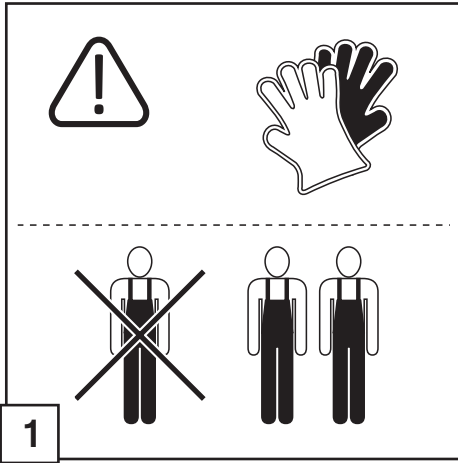
COOKER HOOD
OKAP WYCIĄGOWY

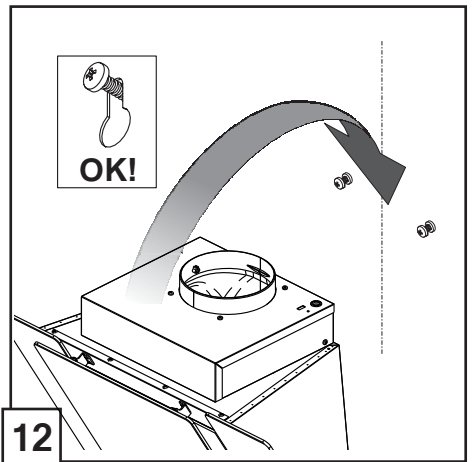
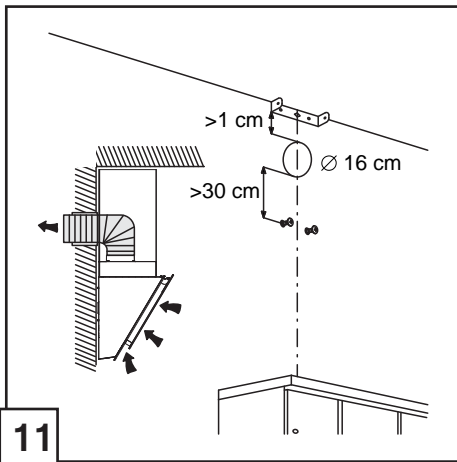
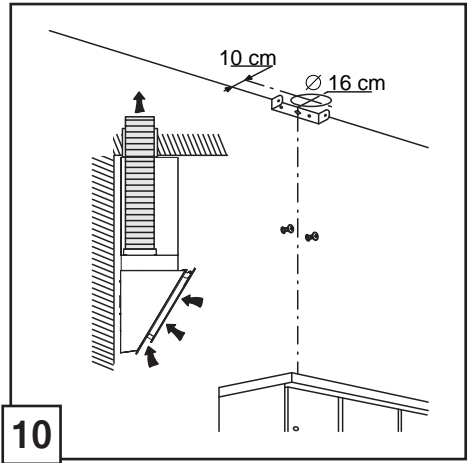
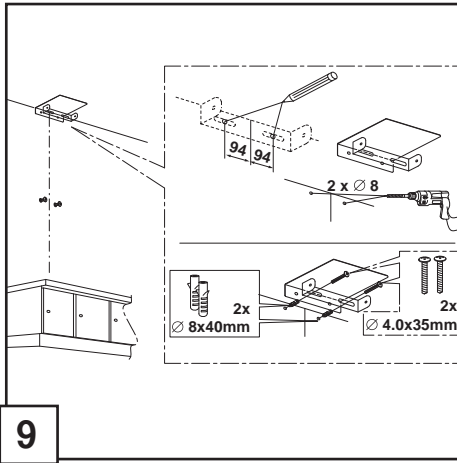
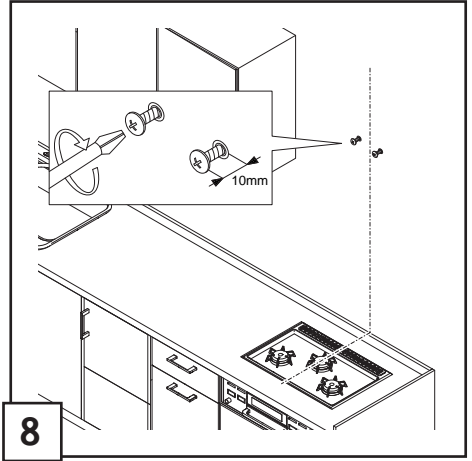
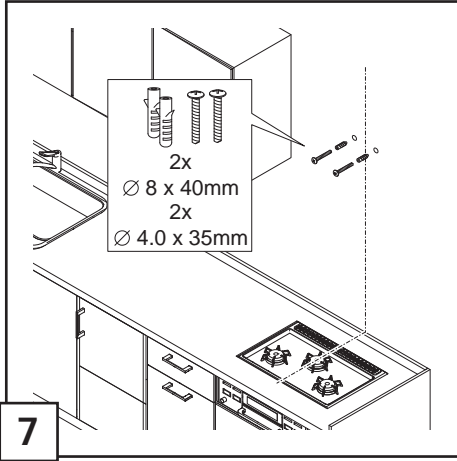
NB60E-L16BI7 BK **MH6INBG**

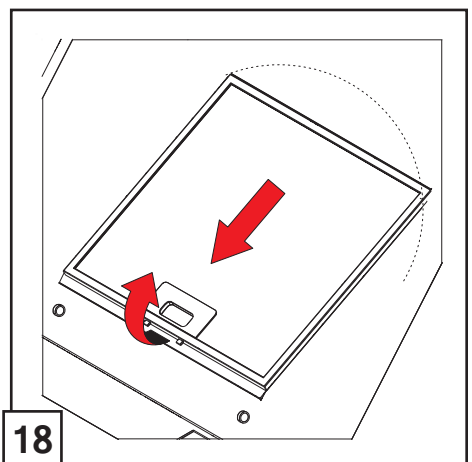
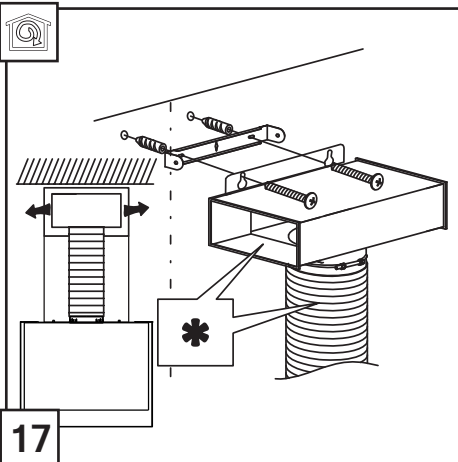
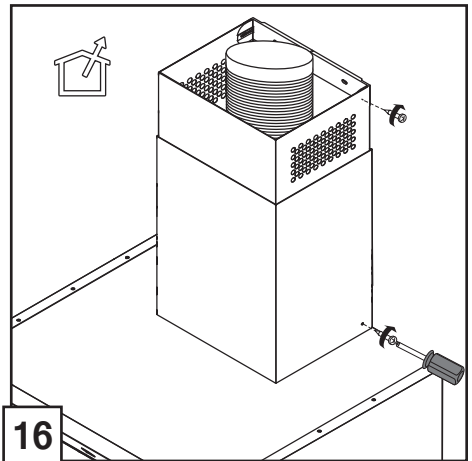
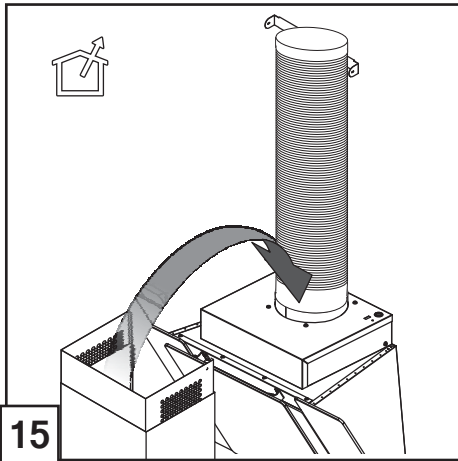
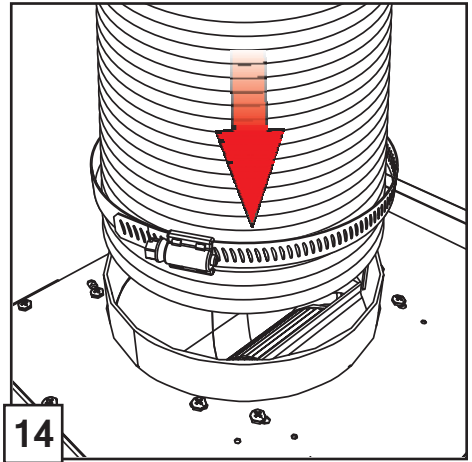
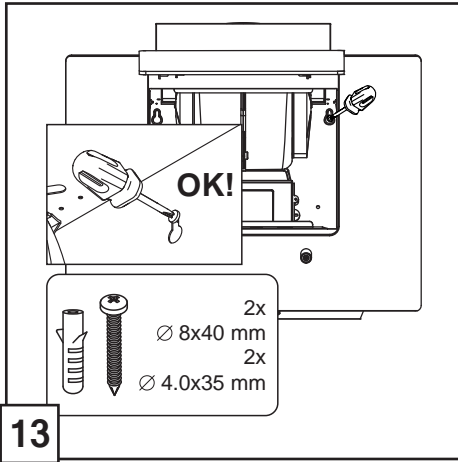
NB90E-L16BI7 BK **MH9INBG**

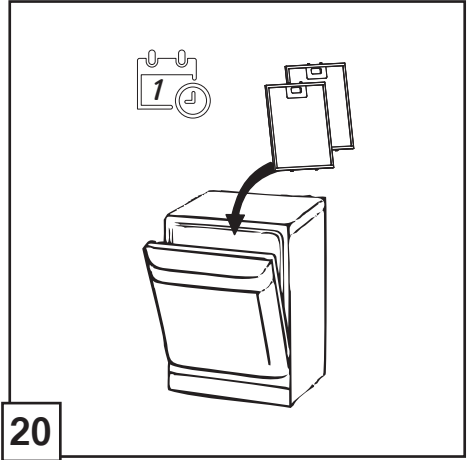
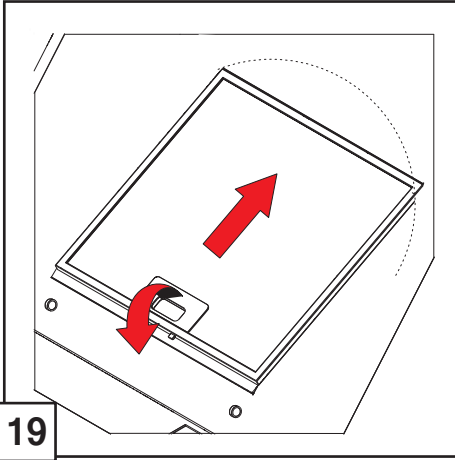
LANGUAGES/JĘZYKI

7	EN	COOKER HOOD
11	DE	DUNSTABZUGSHAUBE
15	ES	CAMPANA EXTRACTORA
19	FR	HOTTE
23	PT	EXAUSTOR
27	PL	OKAP WYCIĄGOWY
31	ET	ÕHUPUHASTI
35	LT	GARŲ SURINKTUVAS
39	LV	GAISA NOSŪCĒJS
43	SQ	ASPIRATOR KUZHINE

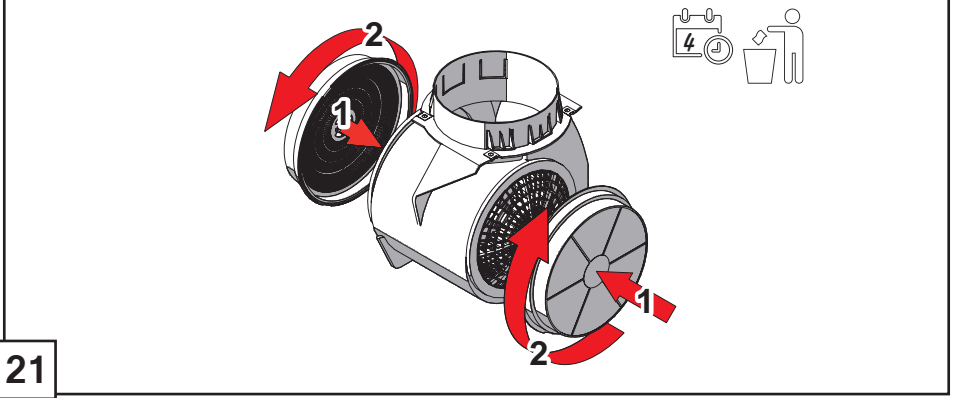








* depending on the model



EN COOKER HOOD

Closely follow the instructions set out in this manual. All responsibility, for any eventual inconveniences, damages or fires caused by not complying with the instructions in this manual, is declined. The hood is conceived for the suction of cooking fumes and steam and is destined only for domestic use.

The hood can look different to that illustrated in the drawings in this booklet. The instructions for use, maintenance and installation, however, remain the same.

- ! It is important to conserve this booklet for consultation at any moment. In the case of sale, cession or move, make sure it is together with the product.
- ! Read the instructions carefully: there is important information about installation, use and safety.
- ! Do not carry out electrical or mechanical variations on the product or on the discharge conduits.
- ! Before proceeding with the installation of the appliance verify that there are no damaged all components. Otherwise contact your dealer and do not proceed with the installation.

Note: the elements marked with the symbol "(*)" are optional accessories supplied only with some models or elements to purchase, not supplied.



CAUTION **WARNING!**

- ! Do not connect the appliance to the mains until the installation is fully complete.
- ! Before any cleaning or maintenance operation, disconnect hood from the mains by removing the plug or disconnecting the mains electrical supply.
- ! Always wear work gloves for all installation and maintenance operations.
- ! The appliance is not intended for use by children or persons with impaired physical, sensorial or mental faculties, or if lacking in experience or knowledge, unless they are under supervision or have been trained in the use of the appliance by a person responsible for their safety.
- ! This appliance is designed to be operated by adults, children should be monitored to ensure that they do not play with the appliance.
- ! This appliance is designed to be operated by adults. Children should not be allowed to tamper with the controls or play with the appliance.
- ! Never use the hood without effectively mounted grating!
- ! The hood must NEVER be used as a support surface unless specifically indicated.
- ! The premises where the appliance is installed must be sufficiently ventilated, when the kitchen hood is used together with other gas combustion devices or other fuels.
- ! The ducting system for this appliance must not be connected to any existing ventilation system which is being used for any other purpose such as discharging exhaust fumes from appliances burning gas or other fuels.
- ! The flaming of foods beneath the hood itself is severely prohibited.
- ! The use of exposed flames is detrimental to the filters and may cause a fire risk, and must therefore be avoided in all circumstances.
- ! Any frying must be done with care in order to make sure that the oil does not overheat and ignite.
- ! Accessible parts of the hood may become hot when used with cooking appliance.
- ! With regards to the technical and safety measures to be adopted for fume discharging it is important to closely follow the regulations provided by the local authorities.
- ! The hood must be regularly cleaned on both the inside and outside (AT LEAST ONCE A MONTH).
- ! This must be completed in accordance with the maintenance instructions provided in this manual). Failure to follow the instructions provided in this user guide regarding the cleaning of the hood and filters will lead to the risk of fires.
- ! Do not use or leave the hood without the lamp correctly mounted due to the possible risk of electric shocks.
- ! We will not accept any responsibility for any faults, damage or fires caused to the appliance as a result of the nonobservance of the instructions included in this manual.
- ! This appliance is marked according to the European directive 2002/96/EC on Waste Electrical and Electronic Equipment (WEEE). By ensuring this product is disposed of correctly, you will help prevent potential negative consequences for the environment and human health, which could otherwise be caused by inappropriate waste handling of this product.



The symbol on the product, or on the documents accompanying the product, indicates that this appliance may not be treated as household waste. Instead it should be taken to the appropriate collection point for the recycling of electrical and electronic equipment. Disposal must be carried out in accordance with local environmental regulations for waste disposal.

For further detailed information regarding the process, collection and recycling of this product, please contact the appropriate department of your local authorities or the local department for household waste or the shop where you purchased this product.

Appliance designed, tested and manufactured according to:

- **Safety:** EN/IEC 60335-1; EN/IEC 60335-2-31, EN/IEC 62233.
- **Performance:** EN/IEC 61591; ISO 5167-1; ISO 5167-3; ISO 5168; EN/IEC 60704-1; EN/IEC 60704-2-13; ISO 3741; EN 50564; IEC 62301.
- **EMC:** EN 55014-1; CISPR 14-1; EN 55014-2; CISPR 14-2; EN/IEC 61000-3-2; EN/IEC 61000-3-3.

Suggestions for a correct use in order to reduce the environmental impact: Switch ON the hood at minimum speed when you start cooking and kept it running for few minutes after cooking is finished. Increase the speed only in case of large amount of smoke and vapour and use boost speed(s) only in extreme situations. Replace the charcoal filter(s) when necessary to maintain a good odour reduction efficiency. Clean the grease filter(s) when necessary to maintain a good grease filter efficiency. Use the maximum diameter of the ducting system indicated in this manual to optimize efficiency and minimize noise.

Additional Installation Specifications:

Use only the fixing screws supplied with the product for installation or, if not supplied, purchase the correct screws type.

Use the correct length for the screws which are identified in the Installation Guide.

In case of doubt, consult an authorised service assistance centre or similar qualified person.

WARNING! Failure to install the screws or fixing device in accordance with these instructions may result in electrical hazards.

USE

The hood is designed to be used either for exhausting or filter version.



Ducting version

In this case the fumes are conveyed outside of the building by means of a special pipe connected with the connection ring located on top of the hood.

Attention! The exhausting pipe is not supplied and must be purchased apart.

Diameter of the exhausting pipe must be equal to that of the connection ring.

In the horizontal runs the exhausting pipe must be slightly slanted (about 10°) and directed upwards to vent the air easily from the room to the outside.

Attention! If the hood is supplied with active charcoal filter, then it must be removed.

Connect the hood and discharge holes on the walls with a diameter equivalent to the air outlet (connection flange).

Using the tubes and discharge holes on walls with smaller dimensions will cause a diminution of the suction performance and a drastic increase in noise.

Any responsibility in the matter is therefore declined.

- ! Use a duct of the minimum indispensable length.
- ! Use a duct with as few elbows as possible (maximum elbow angle: 90°).
- ! Avoid drastic changes in the duct cross-section.
- ! Use a duct as smooth as possible inside.
- ! The duct must be made of certified material.



Filter version

One active charcoal filter is needed for this and can be obtained from your usual retailer.

The filter removes the grease and smells from the extracted air before sending it back into the room through the upper outlet grid.

INSTALLATION

The minimum distance between the supporting surface for the cooking equipment on the hob and the lowest part of the range hood must be not less than 55cm from electric cookers and 65cm from gas or mixed cookers.

If the instructions for installation for the gas hob specify a greater distance, this must be adhered to.



Electrical connection

The mains power supply must correspond to the rating indicated on the plate situated inside the hood. If provided with a plug connect the hood to a socket in compliance with current regulations and positioned in an accessible area, after installation. If it not fitted with a plug (direct mains connection) or if the plug is not located in an accessible area, after installation, apply a double pole switch in accordance with standards which assures the complete disconnection of the mains under conditions relating to over-current category III, in accordance with installation instructions.

Warning! Before re-connecting the hood circuit to the mains supply and checking the efficient function, always check that the mains cable is correctly assembled.

Mounting

Very heavy product; hood handling and installation must be carried out by at least two persons.

Before beginning installation:

- Check that the product purchased is of a suitable size for the chosen installation area.
- Remove the charcoal (*) filter/s if supplied (see also relative paragraph). This/these is/are to be mounted only if you want to use the hood in the filtering version.
- Check (for transport reasons) that there is no other supplied material inside the hood (e.g. packets with screws (*), guarantees (*), etc.), eventually removing them and keeping them.
- If possible, disconnect and move freestanding or slide-in range from cabinet opening to provide easier access to rear wall/ceiling. Otherwise put a thick, protective covering over countertop, cooktop or range to protect from damage and debris. Select a flat surface for assembling the unit. Cover that surface with a protective covering and place all canopy hood parts and hardware in it.
- In addition check whether near the installation area of the hood (in the area accessible also with the hood mounted) an electric socket is available and it is possible to connect a fumes discharge device to the outside (only suction version).
- Carry out all the masonry work necessary (e.g. installation of an electric socket and/or a hole for the passage of the discharge tube).

Expansion wall plugs are provided to secure the hood to most types of walls/ceilings. However, a qualified technician must verify suitability of the materials in accordance with the type of wall/ceiling. The wall/ceiling must be strong enough to take the weight of the hood. **Do not tile, grout or silicone this appliance to the wall. Surface mounting only.**

OPERATION

Use the high suction speed in cases of concentrated kitchen vapors. It is recommended that the cooker hood suction is switched on for 5 minutes prior to cooking and to leave in operation during cooking and for another 15 minutes approximately after terminating cooking.

Mechanical controls



- Press the Light button to switch the light ON. Press again to switch the light OFF.
- Press the Speed 1 button to start the motor with speed 1.
- Press the Speed 2 button to start the motor with speed 2.
- Press the Speed 3 button to start the motor with speed 3.
- Press the Switch Off button to switch off the motor.

Touch controls



When the hood is connected to power supply, the hood will be in standby mode and only On/Off button and Light button will be semi illuminated. Buttons from Speed 1-3 are not illuminated and not possible to select.

- Press the On/Off button to start selecting the motor speeds. When On/Off button is selected, Speed 1-3 are semi illuminated.
- Press the Speed 1 button to start the motor with speed 1.
- Press the Speed 2 button to start the motor with speed 2.
- Press the Speed 3 button to start the motor with speed 3.
- Press the Light button to switch the light ON. Press again to switch the light OFF.

MAINTENANCE

ATTENTION! Before performing any maintenance operation, isolate the hood from the electrical supply by switching off at the connector and removing the connector fuse.

Or if the appliance has been connected through a plug and socket, then the plug must be removed from the socket.

Cleaning

The cooker hood should be cleaned regularly (at least with the same frequency with which you carry out maintenance of the fat filters) internally and externally. Clean using the cloth dampened with neutral liquid detergent. Do not use abrasive products. **DO NOT USE ALCOHOL!** **WARNING:** Failure to carry out the basic cleaning recommendations of the cooker hood and replacement of the filters may cause fire risks. Therefore, we recommend observing these instructions.

The manufacturer declines all responsibility for any damage to the motor or any fire damage linked to inappropriate maintenance or failure to observe the above safety recommendations.

Grease filter

Traps cooking grease particles.

The **grease filter** must be cleaned once a month using non aggressive detergents, either by hand or in the dishwasher, which must be set to a low temperature and a short cycle. When washed in a dishwasher, the grease filter may discolour slightly, but this does not affect its filtering capacity.

To remove the grease filter, pull the spring release handle.

Charcoal filter (filter version only)

It absorbs unpleasant odours caused by cooking.

The saturation of the **charcoal filter** occurs after more or less prolonged use, depending on the type of cooking and the regularity of cleaning of the grease filter.

In any case it is necessary to replace the cartridge at least every four months.

The charcoal filter may NOT be washed or regenerated.

Circular carbon filter

Apply one on each side as cover to both the shield grids of the motor impeller, then turn clockwise.

For the disassembly, turn counter-clockwise.

Replacing lamps

The hood is equipped with a lighting system based on LED technology.

The LEDs guarantee an optimum lighting, a duration up to 10 times as long as the traditional lamps and allow to save 90% electrical energy.

In case of malfunction of the illumination system contact the technical service.

DE DUNSTABZUGSHAUBE

Bitte befolgen Sie strikt die Anweisungen aus diesem Handbuch. Der Hersteller übernimmt keine Haftung für eventuelle Unannehmlichkeiten, Schäden oder Brand, die aufgrund der Nichtbeachtung der Hinweise in diesem Handbuch entstehen. Die Dunstabzugshaube ist für die Absaugung von Rauch und Dampf während des Kochens und nur für den Gebrauch im Haushalt bestimmt.

Das Aussehen der Dunstabzugshaube kann von den Zeichnungen in diesem Handbuch abweichen. Ungeachtet dessen bleiben die Hinweise für Gebrauch, Wartung und Installation unverändert.

- ! Bewahren Sie dieses Handbuch auf, damit Sie es jederzeit erneut lesen können. Falls Sie das Gerät einem neuen Besitzer übergeben, sorgen Sie bitte dafür, dass er das Handbuch erhält.
- ! Lesen Sie dieses Handbuch sorgfältig durch, da es wichtige Hinweise sowie Informationen zur Installation, zum Gebrauch und zur Sicherheit enthält.
- ! Führen Sie keine elektrischen oder mechanischen Eingriffe bzw. Einstellungen am Gerät oder am Abluftschlauch durch.
- ! Überprüfen Sie vor dem Installieren des Geräts, ob alle Komponenten unbeschädigt sind. Falls Sie feststellen, dass eine der Komponenten beschädigt ist, wenden Sie sich an bitte an Ihren Händler und installieren Sie das Gerät nicht.

Hinweis: Die mit dem Symbol (*) gekennzeichneten Elemente sind zusätzliches Zubehör, das nur bei einigen Modellen vorhanden oder als zusätzliches Zubehör erhältlich sind und nicht zum Lieferumfang des Geräts gehören.



ACHTUNG! WARNUNG!

- ! Schließen Sie das Gerät erst dann an das Stromnetz an, nachdem die Installation vollständig abgeschlossen ist.
- ! Bevor Sie die Dunstabzugshaube reinigen oder warten, trennen Sie sie vom Stromnetz, indem Sie den Stecker des Anschlusskabels aus der Steckdose ziehen oder die Hauptsicherung abschalten.
Tragen Sie bei Installations- oder Wartungsarbeiten immer Schutzhandschuhe.
Das Gerät ist nicht zum Gebrauch durch Kinder und Personen mit verminderten physischen, sensorischen oder geistigen Fähigkeiten oder mangelnden Erfahrungen bzw. Kenntnissen bestimmt, ausgenommen sie bedienen das Gerät unter entsprechender Aufsicht oder berücksichtigen die Anweisungen von einer für ihre Sicherheit verantwortlichen Person.
- ! Das Gerät ist für den Gebrauch durch Erwachsene bestimmt. Erlauben Sie kleinen Kindern nicht, mit dem Gerät zu spielen.
- ! Das Gerät ist für den Gebrauch durch Erwachsene bestimmt. Erlauben Sie Kindern nicht, mit den Bedienelementen des Geräts oder mit dem Gerät selbst zu spielen.
- ! Gebrauchen Sie die Dunstabzugshaube niemals ohne das montierte Gitter!
Verwenden Sie die Haube NIEMALS als Trag- oder Stützfläche, es sei denn, dies ist ausdrücklich in der Gebrauchsanleitung gestattet.
Wenn im Raum, in dem die Dunstabzugshaube installiert ist, auch andere Geräte verwendet werden, in denen Erdgas oder andere Brennstoffe verbrannt werden, muss der Raum ausreichend belüftet sein.
- ! Das System zum Absaugen von Dämpfen aus diesem Gerät darf nicht an ein vorhandenes Lüftungssystem angeschlossen werden, das bereits zu anderen Zwecken verwendet wird, z. B. für die Ableitung von Gasen, die bei der Verbrennung von Gas oder anderen Brennstoffen entstehen.
- ! Das Flammbieren bzw. die Verwendung von offenem Feuer direkt unter der Dunstabzugshaube ist strengstens verboten.
- ! Die Verwendung von offenem Feuer kann die Filter beschädigen und ein Brandrisiko verursachen, deswegen sollten Sie es unter allen Umständen unterlassen.
- ! Achten Sie beim Frittieren darauf, dass sich das Öl nicht überhitzt und sich entzündet.
- ! Die zugänglichen Teile der Dunstabzugshaube können sich beim Betrieb des unter der Haube befindlichen Kochgeräts stark erhitzen.
- ! Hinsichtlich der sowohl technischen als auch sicherheitsrelevanten Maßnahmen zur Ableitung von Dämpfen ist es wichtig, die von den örtlichen Behörden festgelegten Regeln strikt einzuhalten.
Das Gerät sollte regelmäßig von innen und außen gereinigt werden (MINDESTENS EINMAL IM MONAT).
Gebrauchen Sie das Gerät ausschließlich zu dem in diesem Handbuch angeführten Zweck. Falls Sie die Hinweise zur Reinigung von Dunstabzugshauben und Filtern aus diesem Handbuch nicht befolgen, kann es zu Brandgefahr kommen.
- ! Verwenden Sie die Dunstabzugshaube nicht ohne das entsprechend eingebaute Leuchtmittel, da sonst die Gefahr eines Stromschlags besteht.
- ! Der Hersteller übernimmt keine Haftung für eventuelle Fehler, Schäden oder Brände, die aufgrund der Nichtbeachtung der Hinweise in diesem Handbuch entstehen.
- ! ! Das Gerät ist in Einklang mit der europäischen Richtlinie 2002/96/EG über die Entsorgung von Elektro- und Elektronikgeräten gekennzeichnet. Durch die vorschriftsmäßige Entsorgung des Geräts tragen Sie zur Vermeidung von eventuellen schädlichen Einflüssen auf die Umwelt und Gesundheit der Menschen bei, die bei einer unvorschriftsmäßigen Entsorgung des ausgedienten Geräts entstehen würden.

Das Gerät wurde gemäß folgenden Normen bzw. Vorschriften entwickelt, getestet und hergestellt.

- **Sicherheit:** EN/IEC 60335-1; EN/IEC 60335-2-31, EN/IEC 62233.
- **Betriebseffizienz:** EN/IEC 61591; ISO 5167-1; ISO 5167-3; ISO 5168; EN/IEC 60704-1; EN/IEC 60704-2-13; ISO 3741; EN 50564; IEC 62301.
- **EMC (elektromagnetische Verträglichkeit):** EN 55014-1; CISPR 14-1; EN 55014-2; CISPR 14-2; EN/IEC 61000-3-2; EN/IEC 61000-3-3.

DEUTSCHLAND: Aktualisierte Informationen zur Entsorgung von Altgeräten

Das Elektro- und Elektronikgerätegesetz (ElektroG) enthält eine Vielzahl von Anforderungen an den Umgang mit Elektro und Elektronikgeräten. Die wichtigsten sind hier zusammengestellt.

1. Getrennte Erfassung von Altgeräten

Elektro- und Elektronikgeräte, die zu Abfall geworden sind, werden als Altgeräte bezeichnet. Besitzer von Altgeräten haben diese einer vom unsortierten Siedlungsabfall getrennten Erfassung zuzuführen. Altgeräte gehören insbesondere nicht in den Hausmüll, sondern in spezielle Sammel- und Rückgabesysteme.

2. Batterien und Akkus sowie Lampen

Besitzer von Altgeräten haben Altbatterien und Alttakkumulatoren, die nicht vom Altgerät umschlossen sind, sowie Lampen, die zer- störungsfrei aus dem Altgerät entnommen werden können, im Regelfall vor der Abgabe an einer Erfassungsstelle vom Altgerät zu trennen. Dies gilt nicht, soweit Altgeräte einer Vorbereitung zur Wiederverwendung unter Beteiligung eines öffentlich-rechtlichen Entsorgungsträgers zugeführt werden.

3. Möglichkeiten der Rückgabe von Altgeräten

Besitzer von Altgeräten aus privaten Haushalten können diese bei den Sammelstellen der öffentlich-rechtlichen Entsorgungsträger oder bei den von Herstellern oder Vertreibern im Sinne des ElektroG eingerichteten Rücknahmestellen unentgeltlich abgeben.

Rücknahmepflichtig sind Geschäfte mit einer Verkaufsfläche von mindestens 400 m² für Elektro- und Elektronikgeräte sowie die- jenigen Lebensmittelgeschäfte mit einer Gesamtverkaufsfläche von mindestens 800 m², die mehrmals pro Jahr oder dauerhaft Elektro- und Elektronikgeräte anbieten und auf dem Markt bereitstellen. Dies gilt auch bei Vertrieb unter Verwendung von Fernkom- munikationsmitteln, wenn die Lager- und Versandflächen für Elektro- und Elektronikgeräte mindestens 400 m² betragen oder die gesamten Lager- und Versandflächen mindestens 800 m² betragen. Vertreter haben die Rücknahme grundsätzlich durch geeignete Rückgabemöglichkeiten in zumutbarer Entfernung zum jeweiligen Endnutzer zu gewährleisten.

Die Möglichkeit der unentgeltlichen Rückgabe eines Altgerätes besteht bei rücknahmepflichtigen Vertreibern unter anderem dann, wenn ein neues gleichartiges Gerät, das im Wesentlichen die gleichen Funktionen erfüllt, an einen Endnutzer abgegeben wird. Wenn ein neues Gerät an einen privaten Haushalt ausgeliefert wird, kann das gleichartige Altgerät auch dort zur unentgeltlichen Abholung übergeben werden; dies gilt bei einem Vertrieb unter Verwendung von Fernkommunikationsmitteln für Geräte der Kategorien 1, 2 oder 4 gemäß § 2 Abs. 1 ElektroG, nämlich „Wärmeüberträger“, „Bildschirmgeräte“ oder „Großgeräte“ (letztere mit mindestens einer äußeren Abmessung über 50 Zentimeter). Zu einer entsprechenden Rückgabe-Absicht werden Endnutzer beim Abschluss eines Kauf- vertrages befragt. Außerdem besteht die Möglichkeit der unentgeltlichen Rückgabe bei Sammelstellen der Vertreter unabhängig vom Kauf eines neuen Gerätes für solche Altgeräte, die in keiner äußeren Abmessung größer als 25 Zentimeter sind, und zwar be- schränkt auf drei Altgeräte pro Geräteart.

4. Datenschutz-Hinweis

Altgeräte enthalten häufig sensible personenbezogene Daten. Dies gilt insbesondere für Geräte der Informations- und Telekommuni- kationstechnik wie Computer und Smartphones. Bitte beachten Sie in Ihrem eigenen Interesse, dass für die Löschung der Daten auf den zu entsorgenden Altgeräten jeder Endnutzer selbst verantwortlich ist.

5. Bedeutung des Symbols „durchgestrichene Mülltonne“



Das auf Elektro- und Elektronikgeräten regelmäßig abgebildete Symbol einer durchgestrichenen Mülltonne weist darauf hin, dass das jeweilige Gerät am Ende seiner Lebensdauer getrennt vom unsortierten Siedlungsabfall zu erfassen ist.

Empfehlungen zum richtigen Gebrauch, der die Umweltbelastung reduziert: Schalten Sie die Dunstabzugshaube auf die Mindestgeschwindigkeit, sobald Sie mit dem Kochen beginnen. Lassen Sie die Dunstabzugshaube nach Beendigung des Kochvorgangs noch ein paar Minuten laufen. Erhöhen Sie die Lüftergeschwindigkeit nur bei starker Rauch- und Dampfentwicklung; verwenden Sie hohe Lüftergeschwindigkeit nur in extremen Fällen. Ersetzen Sie bei Bedarf den Kohlefilter, um eine hohe Effizienz bei der Beseitigung von unangenehmen Gerüchen zu gewährleisten. Reinigen Sie bei Bedarf den Fettfilter, um einen guten Wirkungsgrad zu erreichen. Verwenden Sie den in diesem Handbuch angeführten Abluftschlauch mit maximalem Durchmesser, da dies optimal ist und den Geräuschpegel reduziert.

Zusätzliche Spezifikationen für die Installation:

Verwenden Sie bei der Installation nur die Befestigungsschrauben, die dem Gerät beigelegt sind. Falls keine Schrauben beigelegt sind, kaufen Sie die entsprechenden Schrauben.

Verwenden Sie nur die in den den Installationshinweisen angeführten Schrauben.

Wenden Sie sich im Zweifelsfall an einen autorisierten Kundendienst, an das Kundendienstcenter oder an eine andere entsprechend qualifizierte Person.

WARNUNG! Falls Schrauben oder Montageteile nicht gemäß den Hinweisen aus diesem Handbuch installiert werden, besteht die Gefahr eines Stromschlags.

GEBRAUCH

Diese Dunstabzugshaube ist so konstruiert, dass sie entweder zum Abluft- oder zum Filterbetrieb verwendet werden kann.



Abluftbetrieb

Bei dieser Variante werden die Dämpfe über einen speziellen Abluftschlauch, der mit einem Anschlussflansch am oberen Teil der Haube verbunden wird, ins Freie geleitet.

Achtung! Der Abluftschlauch ist nicht beigelegt und muss separat gekauft werden.

Der Durchmesser des Abluftschlauchs sollte gleich groß sein wie der Durchmesser des Anschlussflansches.

Im waagerechten Bereich muss der Schlauch leicht nach oben (ca. 10 °) gebogen sein, damit der Austritt der Luft aus dem Raum nach außen erleichtert wird.

Achtung! Falls die Dunstabzugshaube mit Kohlefiltern ausgestattet ist, müssen diese entfernt werden.

Verwenden Sie für die Verbindung der Haube mit der Abluftöffnung einen Schlauch dessen Durchmesser dem Durchmesser der Austrittsöffnung an der Haube entspricht (Anschlussflansch).

Falls der Durchmesser des Abluftschlauchs oder die Wandöffnung kleiner ist, ist die Saugkraft geringer und die Betriebsgeräusche sind wesentlich lauter.

Für solche Fälle übernimmt der Hersteller keine Haftung.

- ! Der Abluftschlauch soll so kurz wie möglich sein.
- ! Sorgen Sie beim Einsetzen des Abluftschlauchs dafür, dass der Schlauch so wenig wie möglich geknickt wird. Der maximale Knickwinkel des Abluftschlauchs beträgt 90°.
- ! Vermeiden Sie größere Abweichungen vom Durchmesser des Abluftschlauchs.
- ! Die Innenfläche des Abluftschlauchs sollte so glatt wie möglich sein.
- ! Das Material des Abluftschlauchs muss die entsprechenden Zertifikate besitzen.



Filterbetrieb

Für diese Variante benötigen Sie einen Kohlefilter, den Sie im Einzelhandel für Haushaltsgeräte kaufen können.

Der Filter entfernt Fett und Gerüche aus der eingesaugten Luft; die gereinigte Luft strömt durch die Austrittsöffnungen an der Oberseite des Geräts wieder in den Raum zurück.

INSTALLATION

Der Mindestabstand zwischen dem Kochfeld und dem untersten Teil der Dunstabzugshaube muss bei Elektrokochfeldern mindestens 55 cm und bei Gas- bzw. Kombi-Kochfeldern mindestens 65 cm betragen.

Falls in der Installationsanleitung für Gaskochfelder ein größerer Abstand angegeben ist, sollten Sie diesen berücksichtigen.



Anschluss an das Stromnetz

Die Elektroinstallation in Ihrem Haushalt muss den Angaben auf dem Typenschild im Inneren der Dunstabzugshaube entsprechen. Falls am Netzkabel des Geräts ein Stecker angeschlossen ist, stecken Sie diesen in eine Wandsteckdose, die den gültigen Vorschriften entspricht, und die so installiert ist, dass der Stecker nach der Installation leicht zugänglich ist. Falls das Netzkabel des Geräts nicht mit einem Stecker ausgestattet ist (direkter Anschluss an das Stromnetz) oder die Steckdose nach der Installation nicht leicht zugänglich ist, muss gemäß den Normen ein zweipoliger Schalter installiert werden, um sicherzustellen, dass das Gerät unter den Bedingungen der Überspannungskategorie III im Einklang mit den Installationsanweisungen eine vollständige Trennung vom Stromnetz gewährleistet.

Warnung! Bevor Sie die Dunstabzugshaube an das Stromnetz anschließen und deren Betrieb überprüfen, sollten Sie sich immer vergewissern, dass das Netzkabel richtig angeschlossen ist.

Art der Aufstellung

Das Gerät ist sehr schwer. Bei der Handhabung und Installation der Dunstabzugshaube sollten mindestens zwei Personen zusammenarbeiten.

Vor der Installation:

- Prüfen Sie, ob das gekaufte Produkt dem ausgewählten Aufstellungsbereich entspricht.
- Entfernen Sie den Kohlefilter (*), falls dieser beigelegt ist (siehe entsprechendes Kapitel im Handbuch). Installieren Sie den Kohlefilter nur, wenn Sie das Gerät im Umluftbetrieb verwenden.
- Prüfen Sie, ob sich im Inneren der Dunstabzugshaube Materialien oder Gegenstände befinden (die eventuell beim Transport herausgefallen sind, z. B. Schraubenpackungen (*), Garantiekarte (*) usw.) und entfernen Sie diese.
- Trennen Sie, wenn möglich, den Standherd vom Stromnetz bzw. bewegen Sie den Einbauherd in die Nische zwischen die Küchenelemente, um den Zugang zur Wand bzw. zur Decke zu erleichtern. Falls dies nicht möglich sein sollte, legen Sie eine dicke Schutzabdeckung über das Kochfeld oder den Herd, um ihn vor Beschädigung und Fremdkörpern zu schützen. Wählen Sie für die Montage des Geräts eine ebene Unterlage aus. Legen Sie eine Schutzdecke auf die Unterlage, auf der Sie alle Teile der Dunstabzugshaube und alle Befestigungsteile montieren.
- Überprüfen Sie außerdem, ob sich eine Steckdose (die nach dem Einbau der Dunstabzugshaube leicht zugänglich ist) in der Nähe der Montage der Dunstabzugshaube befindet und ob eine Steckdose zum Anschluss des Geräts und eine Abluftöffnung für den Abluftschlauch vorhanden ist.
- Führen Sie alle notwendigen Montagearbeiten (z.B. Installation einer Steckdose und/oder Öffnung für den Abluftschlauch) durch.

Zur Befestigung der Dunstabzugshaube an die Wand bzw. an die Decke sind entsprechende Dübel beigelegt. Trotzdem muss ein entsprechend befähigter Fachmann die Eignung der Materialien hinsichtlich der Beschaffenheit der Wand bzw. der Decke überprüfen. Die Wand bzw. die Decke muss eine ausreichende Tragfähigkeit besitzen, um das Gewicht der Dunstabzugshaube auszuhalten. Versuchen Sie nicht, das Gerät an der Wand bzw. bündig an einer gefliesten Wand mit Fugenmasse, Gips oder Silikonkit zu befestigen. Das Gerät ist nur für die Aufputzmontage vorgesehen.

BETRIEB

Verwenden Sie hohe Lüftergeschwindigkeiten nur bei hohen Dampfkonzentrationen, die während des Kochens entstehen. Es wird empfohlen, die Dunstabzugshaube 5 Minuten vor dem Kochen einzuschalten, während des Kochens laufen zu lassen und nach Beendigung des Kochvorgangs noch etwa 15 Minuten laufen zu lassen.

Mechanische Steuerung



☉ Drücken Sie Einschalttaste für die Beleuchtung, um die Beleuchtung einzuschalten. Drücken Sie noch einmal die Einschalttaste für die Beleuchtung, um die Beleuchtung abzuschalten.

⊕ Drücken Sie die Taste 1, um die Lüftergeschwindigkeit 1 einzustellen.

⊕⊕ Drücken Sie die Taste 2, um die Lüftergeschwindigkeit 2 einzustellen.

⊕⊕⊕ Drücken Sie die Taste 3, um die Lüftergeschwindigkeit 3 einzustellen.

○ Drücken Sie die Ausschalttaste, um den Lüfter abzuschalten.

Steuerung durch Berührung



Sobald die Dunstabzugshaube an den Strom angeschlossen ist, schaltet sie sich in den Stand-by-Zustand um; die Sensortaste zum Ein-/Ausschalten des Lüfter sowie die EIN/AUS-Sensortaste sind teilweise beleuchtet. Die Sensortasten für die Einstellung der Lüftergeschwindigkeit zwischen 1 und 3 sind nicht beleuchtet und können nicht angewählt werden.

☉ Drücken Sie die EIN/AUS-Sensortaste, um die Lüftergeschwindigkeit einzustellen. Sobald die EIN/AUS-Sensortaste gedrückt wird, wird die Sensortaste für die Einstellung der Lüftergeschwindigkeit (zwischen 1 und 3) beleuchtet.

⊕ Drücken Sie die Taste 1, um die Lüftergeschwindigkeit 1 einzustellen.

⊕⊕ Drücken Sie die Taste 2, um die Lüftergeschwindigkeit 2 einzustellen.

⊕⊕⊕ Drücken Sie die Taste 3, um die Lüftergeschwindigkeit 3 einzustellen.

☉ Drücken Sie Sensortaste zum Einschalten der Beleuchtung, um die Beleuchtung einzuschalten. Drücken Sie noch einmal die Sensortaste der Beleuchtung, um die Beleuchtung abzuschalten.

PFLEGE

ACHTUNG! Trennen Sie die Dunstabzugshaube vor Beginn von Wartungsarbeiten oder Eingriffen vom Stromnetz, indem Sie das Anschlusskabel vom Stromnetz trennen oder die entsprechende Sicherung Ihrer Strominstallation abschalten.

Falls das Gerät an eine Steckdose angeschlossen ist, ziehen Sie den Stecker des Anschlusskabels aus der Steckdose.

Reinigung

Die Dunstabzugshaube sollte, sowohl von innen als auch von außen, regelmäßig gereinigt werden (mindestens so oft wie der Fettfilter). Reinigen Sie das Gerät mit einem weichen Tuch, das mit einem neutralen Reinigungsmittel angefeuchtet ist. Verwenden Sie zum Reinigen des Geräts keine groben bzw. scheuernden Reinigungsmittel. VERWENDEN SIE ZUM REINIGEN DES GERÄTS KEINEN ALKOHOL! HINWEIS:

Wir empfehlen Ihnen, diese Anweisungen zu befolgen.

Der Hersteller übernimmt keine Haftung für Schäden am Motor oder Schäden, die durch einen Brand verursacht werden, wenn solche Schäden auf unzureichende Wartung oder Nichteinhaltung der obigen Sicherheitshinweise zurückzuführen sind.

Fettfilter

Der Fettfilter filtert Fett-Teilchen.

Der **Fettfilter** sollte einmal im Monat mit nicht aggressiven Reinigungsmitteln gereinigt werden, entweder manuell oder in der Spülmaschine mit einem kurzen Spülprogramm und bei niedriger Temperatur. Falls Sie den Fettfilter in der Geschirrspülmaschine reinigen, kann er sich leicht entfärben, was jedoch seine Filterkapazität nicht beeinflusst.

Um den Fettfilter zu entfernen, ziehen Sie am Federhebel.

Kohlefilter (nur bei der Filterversion des Geräts)

Der Kohlefilter absorbiert schlechte Gerüche, die beim Kochen entstehen.

Nach längerem Gebrauch tritt eine Sättigung des **Kohlefilters ein**. Wie schnell die Sättigung des Kohlefilters auftritt, hängt von der Kochmethode und der Häufigkeit der Reinigung des Fettfilters ab.

Auf jeden Fall sollte die Kohlefilterpatrone alle vier Monate erneuert werden.

Der Kohlefilter darf NICHT gewaschen oder regeneriert werden.

Umlauf-Kohlefilter

Setzen Sie auf jeder Seite je einen Kohlefilter ein, sodass diese wie eine Abdeckung den Ventilatorgrill schützen; drehen Sie sie danach im Uhrzeigersinn.

Falls Sie den Umlauf-Kohlefilter nach dem Gebrauch entfernen möchten, drehen Sie ihn gegen den Uhrzeigersinn.

Austausch des Leuchtmittels

Die Dunstabzugshaube ist mit einem LED-Beleuchtungssystem ausgestattet.

Die LED-Leuchtmittel bieten eine optimale Ausleuchtung, ihre Lebensdauer ist 10-mal höher als die Lebensdauer von normalen Leuchtmitteln, während sie gleichzeitig 90% Energieeinsparungen ermöglichen.

Bei einer Fehlfunktion des Beleuchtungssystems wenden Sie sich an den technischen Service.

ES CAMPANA EXTRACTORA

Siempre lea sistemáticamente las instrucciones en este manual. El fabricante no se hace responsable de un posible inconveniente, daño o incendio que pudiera resultar del incumplimiento de las instrucciones de este manual. La campana está diseñada para la extracción de humo y vapor que se produce durante la cocción, y está destinada únicamente para uso doméstico o en el hogar.

La apariencia de la campana puede diferir de los dibujos en este folleto. Sin embargo, las instrucciones de uso, mantenimiento e instalación permanecen sin cambios.

- ! Guardar este manual para que pueda volver a leerlo en cualquier momento. Si vende, regala o mueve el aparato, asegúrese de que la guía del usuario siempre esté incluida.
- ! Leer cuidadosamente las instrucciones, ya que contienen información esencial sobre la instalación, el uso y la seguridad.
- ! No realizar intervenciones eléctricas o mecánicas ni tampoco ajustes en el aparato o en los tubos de escape o en los colectores.
- ! Antes de instalar el aparato, compruebe que todos los componentes no estén dañados. Si descubre que algún componente está dañado, llame a su distribuidor y no instale el aparato.

Nota: Los elementos marcados con el símbolo "*" (*) son accesorios adicionales que se incluyen solo en algunos modelos o están disponibles como accesorios y no se suministran con el aparato.



¡ATENCIÓN!
¡ADVERTENCIA!

- ! No conectar el aparato a la red eléctrica hasta que se complete la instalación.
- ! Antes de limpiar o mantener la campana extractora, desconéctela de la toma de corriente retirando el enchufe de la toma de corriente o apagando el fusible principal.
- ! Siempre use guantes protectores durante todos los trabajos de instalación o mantenimiento.
- ! El aparato no está diseñado para ser utilizado por niños o personas con capacidad física, sensorial o mental reducida o con falta de experiencia o conocimiento, a menos que el aparato se utilice bajo la supervisión adecuada o como lo indiquen las personas a cargo de su seguridad.
- ! El aparato está destinado a ser utilizado por adultos. No permita que los niños jueguen con el aparato.
- ! El aparato está destinado a ser utilizado por adultos. No permita que los niños jueguen con los controles del aparato o el aparato.
- ! ¡Nunca utilice la campana extractora sin el filtro bien instalado!
- ! NUNCA utilice la campana como soporte o superficie de apoyo a menos que esté explícitamente permitido.
- ! Si en la habitación donde está instalada la campana extractora, también se utilizan dispositivos o aparatos en los que se quema gas natural u otro combustible, dicha habitación debe tener suficiente ventilación.
- ! El sistema de extracción de vapor de este aparato no debe conectarse al sistema de ventilación existente, que ya se utiliza para algún otro propósito, por ejemplo, para la extracción de gases producidos por la combustión de gas u otros combustibles.
- ! Está estrictamente prohibido el flambear o el uso de fuego abierto directamente debajo de la campana extractora.
- ! El uso de la llama abierta puede dañar los filtros y causar un incendio, por lo que debe evitarse bajo cualquier circunstancia.
- ! Al freír tenga cuidado de que el aceite no se sobrecaliente y se encienda.
- ! Las partes accesibles de la campana pueden calentarse durante el funcionamiento del aparato de cocina ubicado debajo de la campana.
- ! En cuanto a las medidas técnicas y de seguridad para la evaporación de vapores, es importante seguir estrictamente las reglas determinadas por las autoridades locales.
- ! La campana extractora debe limpiarse regularmente tanto desde el interior como desde el exterior (POR LO MENOS UNA VEZ AL MES).
- ! Limpie la campana extractora de acuerdo con las instrucciones de mantenimiento de este manual. Si no sigue las instrucciones en este manual con respecto a la limpieza de la campana extractora y de los filtros, puede haber riesgo de incendio.
- ! No utilice la campana extractora o no deje la campana extractora sin la bombilla correctamente instalada, de lo contrario, podría producirse una descarga eléctrica.
- ! El fabricante se exime de cualquier responsabilidad por defectos, daños o incendios que puedan surgir en el dispositivo debido al incumplimiento de las instrucciones de este manual.
- ! ! El aparato está marcado de acuerdo con la Directiva Europea 2002/96/CE sobre residuos de equipos eléctricos y electrónicos. Al tener cuidado de eliminar este producto adecuadamente, contribuirá a prevenir los efectos dañinos para el medio ambiente y la salud humana que, de lo contrario, podrían resultar del manejo inadecuado de este producto una vez finalizada su vida útil.



El símbolo en el producto o en la documentación adjunta indica que el aparato no debe tratarse como un desecho doméstico, sino que debe entregarse en un punto de recolección adecuado para el reciclaje de equipos eléctricos y electrónicos. Deseche el aparato de acuerdo con las normas ambientales locales para la eliminación de residuos.

Para obtener información más detallada sobre la recuperación, recolección y reciclaje de este producto, comuníquese con el departamento correspondiente de la autoridad local competente, el servicio local de gestión de residuos domésticos o la tienda donde adquirió este producto.

El aparato está diseñado, probado y fabricado de acuerdo con las siguientes normas o regulaciones:

- **Seguridad:** EN/IEC 60335-1; EN/IEC 60335-2-31, EN/IEC 62233.
- **Prestación:** EN/IEC 61591; ISO 5167-1; ISO 5167-3; ISO 5168; EN/IEC 60704-1; EN/IEC 60704-2-13; ISO 3741; EN 50564; IEC 62301.
- **EMC (compatibilidad electromagnética):** EN 55014-1; CISPR 14-1; EN 55014-2; CISPR 14-2; EN/IEC 61000-3-2; EN/IEC 61000-3-3.

Sugerencias para un uso correcto con el fin de reducir el impacto ambiental: ENCENDER la campana a la velocidad mínima cuando empiece a cocinar y manténgala en marcha durante unos minutos después de haber acabado de cocinar. Aumente la velocidad solo si se produjera una gran cantidad de humo y vapor y use la velocidad o velocidades turbo solo en situaciones extremas. Si es necesario, reemplace los filtros de carbón (o el filtro de carbón) para mantener una buena eficiencia en la eliminación de olores desagradables. Si es necesario, limpie los filtros de grasa (o el filtro de grasa) para mantener una buena eficiencia. Utilice el diámetro máximo del sistema de conductos indicado en este manual, para optimizar el rendimiento y minimizar el ruido.

Especificaciones de instalación adicionales:

Durante la instalación, solo use los tornillos para el ajuste que se adjuntan al aparato. Si los tornillos no están incluidos, compre los tornillos del tipo apropiado.

Use los tornillos del largo apropiado de acuerdo con la información en la Guía de instalación.

En caso de duda, póngase en contacto con un taller de reparación autorizado, un centro de ayuda al cliente u otra persona debidamente cualificada.

¡ADVERTENCIA! Si no instala los tornillos o los accesorios de montaje de acuerdo con estas instrucciones, puede ocurrir un riesgo de descarga eléctrica.

USO

La campana extractora está diseñada para ser utilizada tanto en el modelo de extracción al exterior como por el modelo de filtrado.



Modelo de extracción

El humo es evacuado hacia el exterior a través de un tubo de escape introducido en el reborde de conexión que se encuentra en la parte superior de la campana.

¡Atención! El tubo de escape no se suministra y se debe comprarse por separado.

El diámetro del tubo de escape debe ser el mismo que el diámetro del reborde.

En la sección horizontal, el tubo debe estar ligeramente inclinado hacia arriba (aproximadamente 10°) para que el aire se extraiga fácilmente de la habitación.

¡Atención! Si la campana está equipada con filtros de carbón, deben retirarse.

Para la conexión entre la campana y la abertura en la pared para la extracción de vapor, usar un tubo con un diámetro igual al diámetro de la abertura de salida en la campana (rebordo de conexión).

Si el diámetro del tubo o la abertura de la pared es menor, la potencia de succión será menor y el ruido aumentará significativamente.

Para tales casos, el fabricante se exime de cualquier responsabilidad.

- ! Utilice un tubo de extracción de aire cuya longitud sea la mínima indispensable.
- ! Utilice un tubo de extracción con el menor número posible de curvas. El ángulo máximo de la curva debe ser de 90°.
- ! Evite los cambios drásticos en la sección del tubo de extracción de aire.
- ! La superficie interior del tubo de extracción debe ser lo más lisa posible.
- ! El tubo de extracción de aire debe estar fabricado de un material con los certificados apropiados.



Versión de filtro

Para esta versión, necesita un filtro de carbón, que puede obtenerse en la tienda de electrodomésticos.

El filtro elimina la grasa y los olores del aire filtrado, y luego el aire purificado regresa a la habitación a través de las ranuras de salida en la parte superior del aparato.

INSTALACIÓN

La distancia mínima entre la superficie de cocción y la parte más baja de la campana no debe ser inferior a 45cm en el caso de las cocinas eléctricas y de 55cm en el caso de las cocinas a gas o mixtas.

Si las instrucciones para la instalación del dispositivo para cocinar con gas especifican una distancia mayor, hay que tener esto en consideración.



Conexión eléctrica

La tensión de red debe corresponder con la tensión indicada en la etiqueta colocada en el interior de la campana extractora. Si es suministrada con un enchufe, conectar la campana a una toma de corriente conforme a las normas en vigor y colocarlo en una zona accesible, aun después de la instalación. Si no es suministrada con enchufe (conexión directa a la red eléctrica) o si la toma no es posible situarla en un lugar accesible, aun después de la instalación, se debe colocar un interruptor bipolar de acuerdo con las normativas, para asegurarse la desconexión completa a la red eléctrica en el caso de la categoría de alta tensión III, conforme con las reglas de instalación.

¡Advertencia! Asegúrese siempre de que el cable de alimentación esté instalado correctamente antes de volver a conectar la fuente de alimentación a la red eléctrica y verificar su funcionamiento.

Tipo de instalación

El aparato es muy pesado. Al menos dos personas deben cooperar en el manejo de la campana extractora y su instalación.

Antes de comenzar la instalación:

- Comprobar que el producto comprado sea del tamaño apropiado de acuerdo con el área de instalación seleccionada.
- Retirar los filtros de carbón o el filtro de carbón (*), si se suministra (consulte el párrafo correspondiente). Instalar los filtros de carbón (o el filtro de carbón) solo si usa la campana en versión de filtrado.
- Asegúrese de que no haya ningún material u otro elemento dentro de la campana (que podría caerse en el curso del transporte, por ejemplo, paquetes con tornillos (*), la garantía (*), etc.) y, si es necesario, retírelos.
- Si es posible, desconecte y mueva la cocina independiente o la cocina, que puede introducirse en el nicho entre los elementos de la cocina para facilitar el acceso a la pared detrás de la cocina o hasta el techo. Si esto no es posible, coloque una cubierta protectora gruesa sobre la cocina o estufa para protegerla de daños y objetos extraños. Elija una base plana para la instalación del aparato. Cubra esta base con una capa protectora sobre la cual colocar todas las partes de la campana extractora y las partes para fijarla.
- Además, verifique si hay una toma cerca del lugar donde desea instalar la campana extractora (en un lugar al que se podrá acceder incluso después de la instalación de la campana), y si es posible conectarla a la instalación, que drenará el vapor hacia afuera.
- Realizar todos los trabajos de construcción necesarios (p. ej., instalar una toma eléctrica y/o un orificio para el tubo de salida).

Para montar la campana extractora en la mayoría de los tipos de paredes o techos se adjuntan soportes de pared. Sin embargo, un experto debidamente capacitado debe verificar si los materiales son los adecuados dependiendo de la clase o del tipo de pared/techo. Pared o el techo debe ser lo suficientemente fuerte para soportar el peso de la campana extractora. No intente colocar este aparato en la pared o instalarlo con azulejos, compuestos de lechada, revoque o masilla de silicona. El aparato está destinado únicamente para montaje superficial.

FUNCIONAMIENTO

Use la alta velocidad de extracción solo en caso de altas concentraciones de vapor durante la cocción. Le recomendamos que encienda la campana extractora durante 5 minutos antes de cocinar, deje que funcione durante la cocción y déjela funcionar durante aproximadamente 15 minutos después de que finalice la cocción.

Control mecánico



☉: Presionar la tecla para encender la luz o la iluminación. Presionar esta tecla nuevamente para apagar la iluminación.

✚ Presionar la tecla de primera velocidad para encender el motor que funcionará en la primera velocidad.

✚// Presionar la tecla de segunda velocidad para encender el motor que funcionará en la segunda velocidad.

✚/// Presionar la tecla de tercera velocidad para encender el motor que funcionará en la tercera velocidad.

○ Presionar la tecla de encendido para apagar el motor.

Control táctil



Cuando la campana está enchufada a la fuente de alimentación estará en modo de espera, solo la tecla de sensor de encendido/apagado del motor y la tecla de sensor de encendido/apagado de luces estarán parcialmente iluminadas. Las teclas del sensor para seleccionar la velocidad del motor de 1 a 3 no se iluminarán y no se pueden seleccionar.

⏻ Presionar la tecla de sensor de encendido/apagado para seleccionar la velocidad de funcionamiento del motor. Cuando se presiona la tecla de sensor de encendido/apagado, las teclas de sensor para seleccionar la velocidad de funcionamiento del motor (1 a 3) se iluminan parcialmente.

✚ Presionar la tecla de sensor de primera velocidad para activar el motor de primera velocidad.

✚// Presionar la tecla de sensor de segunda velocidad para activar el motor de segunda velocidad.

✚/// Presionar la tecla de sensor de tercera velocidad para activar el motor de tercera velocidad.

☉: Presionar la tecla de sensor para encender la luz o la iluminación. Presionar esta tecla nuevamente para apagar la iluminación.

MANTENIMIENTO

¡ATENCIÓN! Desconectar la campana extractora de la red eléctrica antes de realizar cualquier trabajo de mantenimiento u operación apagándola en la conexión y retirando el fusible del conector.

Si el aparato está conectado a una toma de corriente a través de un enchufe, sacar el enchufe de la toma.

Limpieza

La campana extractora debe limpiarse regularmente (al menos con la misma frecuencia que la limpieza del filtro de grasa), tanto desde el interior como desde el exterior. Limpiar con un paño humedecido con un limpiador neutro. No utilice limpiadores abrasivos. **¡NO USE ALCOHOL!**
ADVERTENCIA:

Por lo tanto le recomendamos que siga estas instrucciones.

El fabricante no se hace responsable por daños al motor o daños resultantes de un incendio si dichos daños se deben a un mantenimiento inadecuado o al incumplimiento de las recomendaciones de seguridad mencionadas anteriormente.

Filtro antigrasa

El filtro de grasa intercepta partículas de grasa.

El filtro antigrasa debe limpiarse una vez al mes con detergentes no agresivos, manualmente o bien en lavavajillas a bajas temperaturas y con ciclo breve. Con el lavado en el lavavajilla el filtro antigrasa puede desteñirse pero sus características de filtrado no cambian absolutamente.

Para desmontar el filtro antigrasa, tirar de la manija de desenganche de muelle.

Filtro de carbón (solo en la versión de filtro)

El filtro de carbón absorbe los olores desagradables que se producen durante la cocción.

Después de un uso prolongado, se produce la saturación del **filtro de carbón**, dependiendo del método de cocción y la frecuencia de limpieza del filtro de grasa.

En cualquier caso, el cartucho del filtro de carbón debe ser reemplazado cada cuatro meses.

El filtro de carbón NO se permite lavar o regenerar.

filtro de carbón de circulación

Instale uno en cada lado como tapa, protegiendo la rejilla del ventilador, luego girarlo en sentido horario.

Para quitarlo, gírelo en sentido antihorario.

Sustitución de las lámparas

La campana viene provista de un sistema de iluminación basado en la tecnología LED.

Los LEDS garantizan una iluminación óptima, una duración hasta 10 veces mayor que las lámparas convencionales y permiten aborrar el 90% de energía eléctrica. En caso de avería del sistema de iluminación, comuníquese con el servicio técnico.

Veillez suivre scrupuleusement les instructions de cette notice. Le constructeur décline toute responsabilité pour tout inconvénient, dommage ou incendie résultant du non-respect des consignes figurant dans ce manuel. La hotte est prévue pour aspirer les fumées et vapeurs de cuisson et elle est destinée exclusivement à un usage ménager.

La hotte peut avoir un aspect différent de celui qui est représenté dans les illustrations de ce mode d'emploi, cependant les instructions pour l'utilisation, l'entretien et l'installation restent identiques.

- ! Conservez ce manuel pour pouvoir le consulter à tout moment. En cas de vente, de cession ou de déménagement, veillez à ce qu'il reste avec l'appareil.
- ! Lisez attentivement cette notice : elle comporte des informations importantes sur l'installation, l'utilisation et la sécurité.
- ! N'effectuez pas de modifications électriques ou mécaniques sur l'appareil ou sur le conduit d'évacuation.
- ! Avant d'installer l'appareil, vérifiez qu'aucun élément n'est endommagé. Si c'était le cas, contactez votre revendeur et ne procédez pas à l'installation.

Note : les éléments pourvus d'un astérisque (*) sont des accessoires optionnels fournis uniquement avec certains modèles ou des pièces non fournies qui doivent être achetées à part.



MISE EN GARDE

ATTENTION !

- ! Ne raccordez pas l'appareil au circuit électrique tant que l'installation n'est pas complètement terminée.
- ! Avant toute opération de nettoyage ou d'entretien, mettez la hotte hors tension en débranchant la prise secteur ou, en cas de raccordement permanent, en désarmant le disjoncteur.
- ! Mettez des gants de protection avant d'effectuer toute opération d'installation et d'entretien.
- ! Cet appareil n'est pas prévu pour les enfants ou les personnes à capacités physiques, sensorielles ou mentales réduites ou manquant d'expérience et de connaissances. Elles ne pourront l'utiliser que sous la surveillance d'un adulte responsable de leur sécurité et après avoir été mises au courant de son fonctionnement.
- ! La hotte est prévue pour des adultes. Surveillez les enfants afin qu'ils ne jouent pas avec l'appareil ou avec ses commandes.
- ! Ne mettez jamais la hotte en marche si la grille n'est pas bien en place.
- ! Ne déposez AUCUN objet sur la hotte sauf si cela est expressément autorisé.
- ! Quand la hotte fonctionne en même temps que d'autres appareils à gaz ou autres combustibles, la cuisine doit disposer d'une ventilation suffisante.
- ! L'air aspiré par la hotte ne doit jamais être expulsé dans le conduit d'évacuation des fumées de combustion dégagées par des appareils fonctionnant au gaz ou autres combustibles.
- ! Il est formellement interdit de flamber les aliments sous la hotte.
- ! Évitez de laisser brûler une flamme nue sous la hotte, car cela peut endommager les filtres et provoquer un incendie.
- ! Surveillez vos fritures en permanence, car la graisse ou l'huile surchauffée peut prendre feu.
- ! Les parties accessibles de la hotte peuvent devenir assez chaudes quand les appareils de cuisson sont en marche.
- ! En ce qui concerne les mesures techniques de sécurité pour l'évacuation des fumées, respectez strictement les réglementations et normes en vigueur dans votre pays.
- ! La hotte doit être régulièrement nettoyée, aussi bien à l'intérieur qu'à l'extérieur (AU MOINS UNE FOIS PAR MOIS), et ceci en respectant les instructions d'entretien fournies dans ce manuel. Le non-respect des consignes concernant le nettoyage de la hotte ainsi que le remplacement et le nettoyage des filtres peut entraîner un risque d'incendie.
- ! Afin d'éviter tout risque de choc électrique, n'utilisez pas la hotte si les lampes ne sont pas bien en place.
- ! Nous déclinons toute responsabilité pour tout dysfonctionnement, dommage ou incendie résultant du non-respect des consignes figurant dans cette notice.



Ce symbole figure sur le produit ou sur son emballage en application de la directive européenne 2002/96/CE sur les Déchets d'Équipement Électrique et Électronique (DEEE). Cette directive sert de règlement cadre à la reprise, au recyclage et à la valorisation des appareils usagés dans toute l'Europe. Ce produit doit donc faire l'objet d'une collecte sélective. Lorsque vous ne l'utiliserez plus, remettez-le à un service de ramassage spécialisé ou à une déchèterie qui traite les DEEE ; vous contribuerez ainsi à éviter des conséquences néfastes pour la santé et l'environnement. Pour tout renseignement sur la mise au rebut et le recyclage de ce produit, veuillez contacter la mairie ou le service de la propreté de votre commune, ou encore le magasin dans lequel vous l'avez acheté.

Cet appareil a été développé, testé et fabriqué conformément aux normes suivantes :

- **Sécurité :** EN/IEC 60335 ; EN/IEC 60335-2-31, EN/IEC 62233.
- **Performances :** EN/IEC 61591 ; ISO 5167-1 ; ISO 5167-3 ; ISO 5168 ; EN/IEC 60704-1 ; EN/IEC 60704-2-13 ; ISO 3741 ; EN 50564 ; IEC 62301.
- **Compatibilité électromagnétique :** EN 55014-1 ; CISPR 14-1 ; EN 55014-2 ; CISPR 14-2 ; EN/IEC 61000-3-2 ; EN/IEC 61000-3-3.

Suggestions pour une utilisation correcte afin de réduire l'impact sur l'environnement : mettez la hotte en MARCHE à la vitesse minimale lorsque vous commencez à cuisiner et laissez-la fonctionner quelques minutes après la fin de la cuisson. Augmentez la vitesse uniquement en cas de fumée et de vapeur importantes et n'utilisez la fonction booster que dans des situations extrêmes. Remplacez le ou les filtre(s) à charbon quand cela est nécessaire pour que les odeurs soient éliminées. Nettoyez le(s) filtre(s) à graisse quand cela est nécessaire pour maintenir son/leur efficacité. Concernant la gaine d'évacuation, choisissez le diamètre maximum indiqué dans ce manuel pour optimiser l'efficacité et minimiser le bruit.

Consignes supplémentaires pour l'installation

Pour l'installation, utilisez uniquement les vis de fixation fournies avec le produit ou, à défaut, achetez des vis appropriées. Elles doivent avoir la longueur indiquée dans le Guide d'installation.

En cas de doute, consultez le service après-vente agréé ou une personne qualifiée.

ATTENTION ! Si les vis ou le dispositif de fixation ne sont pas installés conformément à ces instructions, cela peut entraîner des risques électriques.

UTILISATION

La hotte peut fonctionner en mode évacuation ou en mode recyclage.



Version évacuation

Dans ce cas, les vapeurs de cuisson sont expulsées vers l'extérieur à travers un tuyau d'évacuation qui est fixé à un raccord cylindrique monté sur la partie supérieure de la hotte.

Attention ! Le tuyau d'évacuation n'est pas fourni et doit être acheté à part.

Son diamètre doit être égal à celui du raccord cylindrique.

Sur son parcours horizontal, le tuyau doit être légèrement incliné vers le haut (10° environ) de façon à expulser l'air plus facilement vers l'extérieur.

Attention ! Si la hotte est équipée d'un filtre à charbon, il faudra le retirer.

Le tuyau d'évacuation raccordé à la hotte et les trous percés dans les murs pour le passage du tuyau doivent avoir le même diamètre que la sortie d'air. S'ils ont un diamètre inférieur, cela entraînera une diminution des performances d'aspiration et une nette augmentation du bruit. Nous déclinons toute responsabilité à cet égard.

! Le tuyau ne doit pas être plus long que nécessaire.

! Les coudes du tuyau doivent être les moins nombreux possibles (angle maximum du coude : 90°).

! Évitez les variations excessives de la section du tuyau.

! Utilisez un tuyau le plus lisse possible sur sa partie interne.

! Le matériau du tuyau doit être conforme aux normes en vigueur.



Version recyclage

Il convient d'utiliser un filtre à charbon actif, disponible auprès de votre revendeur habituel.

L'air aspiré sera dégraissé et désodorisé avant d'être refoulé dans la pièce à travers la grille supérieure.

INSTALLATION

La hotte ne doit pas être installée à moins de 50 cm au-dessus d'une table de cuisson électrique et à moins de 65 cm d'une table à gaz ou mixte.

Si la notice d'utilisation d'une cuisinière ou d'une table de cuisson à gaz prévoit une distance supérieure, il faudra suivre ces recommandations.



Raccordement électrique

La tension et la fréquence du réseau électrique de votre habitation doivent correspondre à la tension et à la fréquence indiquées sur la plaque signalétique apposée à l'intérieur de l'appareil. Si la hotte comporte un cordon secteur, enfoncez fermement la fiche dans une prise murale qui devra être conforme aux réglementations et normes en vigueur ; cette prise devra demeurer accessible après l'installation. Si la hotte n'est pas équipée d'un cordon secteur, ou si la prise murale ne se trouve pas dans une zone accessible après installation, l'appareil devra être raccordé directement au réseau électrique ; il faudra alors, conformément aux règles de l'art, prévoir un disjoncteur bipolaire normalisé, capable de séparer complètement l'appareil du circuit électrique en cas de surtension de catégorie III.

Attention : avant de reconnecter la hotte au réseau électrique et de contrôler son bon fonctionnement, vérifiez toujours que le câble d'alimentation est installé correctement.

Pose

L'appareil est très lourd ; il faut prévoir au moins deux personnes pour le manipuler et l'installer.

Avant de commencer l'installation :

- Vérifiez que le produit acheté a les dimensions adéquates pour être installé à l'emplacement choisi.
- Enlevez le(s) filtre(s) à charbon actif (*) s'ils sont fournis (voir également le chapitre "Entretien"). Il faudra les remettre en place uniquement si l'on utilise la hotte en mode recyclage.
- Vérifiez qu'il ne reste pas de petit matériel à l'intérieur de la hotte (sachet de vis (*), carte de garantie (*), etc. Si c'est le cas, retirez-les et conservez-les.
- Enlevez si possible les meubles qui encadrent la hotte et se trouvent au-dessous d'elle afin d'accéder plus facilement au mur ou au plafond où elle sera fixée. Si ce n'est pas possible, étalez une toile épaisse sur la table de cuisson, le plan de travail et les meubles adjacents pour les protéger des dégâts éventuels et des salissures. Choisissez une surface plane pour assembler l'appareil. Couvrez cette surface d'une protection, puis placez-y la hotte et toutes les pièces fournies.
- Vérifiez s'il existe, à proximité de l'emplacement destiné à la hotte, une prise de courant qui restera accessible quand l'appareil sera installé. Assurez-vous également qu'il est possible de raccorder la hotte à une gaine d'évacuation débouchant à l'extérieur de l'habitation (uniquement si vous voulez utiliser l'appareil en mode évacuation).
- Réalisez tous les travaux préparatoires (installation d'une prise secteur, perçage d'un trou pour le passage du tuyau d'évacuation des vapeurs).

La hotte est livrée avec des chevilles à expansion permettant de la fixer solidement à la plupart des murs et plafonds. Il est cependant conseillé qu'un technicien qualifié vérifie si les chevilles et vis sont appropriées pour votre mur/plafond. Le mur ou le plafond doit être suffisamment solide pour supporter le poids de la hotte. **Ne carrez pas la hotte et n'y posez pas de joint en silicone ou autre matière ; elle doit être simplement fixée au mur.**

FONCTIONNEMENT

Utilisez la puissance d'aspiration maximale en cas de concentration très importante de vapeurs de cuisson. Nous vous conseillons de mettre la hotte en marche 5 minutes avant de commencer la cuisson et de la laisser fonctionner 15 minutes après l'avoir terminée.

Commandes mécaniques



⦿: Appuyez sur le bouton Éclairage pour ALLUMER la lumière. Appuyez de nouveau sur ce bouton pour l'ÉTEINDRE.

⊕ Appuyez sur le bouton Vitesse 1 pour faire démarrer le moteur à la vitesse 1.

⊕/ Appuyez sur le bouton Vitesse 2 pour faire démarrer le moteur à la vitesse 2.

⊕// Appuyez sur le bouton Vitesse 3 pour faire démarrer le moteur à la vitesse 3.

○ Appuyez sur le bouton Arrêt pour arrêter le moteur.

Touches électroniques



Lorsque la hotte est raccordée au secteur, elle est en mode veille et seules les touches Marche/Arrêt et Éclairage sont semi-lumineuses. Les touches des vitesses 1 à 3 ne sont pas rétro-éclairées et vous ne pouvez pas les sélectionner.

⏻ Appuyez sur la touche Marche/Arrêt pour pouvoir sélectionner la vitesse du moteur. Dès que vous effleurez la touche Marche/Arrêt, les touches des vitesses 1 à 3 sont semi-lumineuses.

⊕ Appuyez sur la touche Vitesse 1 pour faire démarrer le moteur à la vitesse 1

⊕/ Appuyez sur la touche Vitesse 2 pour faire démarrer le moteur à la vitesse 2

⊕// Appuyez sur la touche Vitesse 3 pour faire démarrer le moteur à la vitesse 3

⦿: Appuyez sur la touche Éclairage pour ALLUMER la lumière. Appuyez de nouveau sur cette touche pour l'ÉTEINDRE.

ENTRETIEN

ATTENTION : avant toute opération de nettoyage ou d'entretien, mettez l'appareil hors tension en débranchant le cordon secteur ou, en cas de raccordement permanent, en désarmant le disjoncteur, ou encore en retirant le fusible.

Nettoyage

La hotte doit être nettoyée régulièrement à l'intérieur et à l'extérieur (au moins à la même fréquence que les filtres à graisse). Utilisez pour cela une éponge douce et un détergent liquide neutre. Évitez tout produit abrasif. **N'UTILISEZ PAS D'ALCOOL !**

ATTENTION : si vous n'observez pas les recommandations concernant le nettoyage de la hotte et le remplacement des filtres, vous pouvez vous exposer à un risque d'incendie.

La responsabilité du constructeur ne peut en aucun cas être engagée dans le cas de dommages au moteur ou d'incendie résultant d'un entretien négligeant ou du non-respect des consignes de sécurité précédemment mentionnées.

Filtre à graisse

Il retient les particules grasses provenant de la cuisson

Le filtre à graisse doit être nettoyé une fois par mois avec un détergent non agressif, à la main ou dans le lave-vaisselle en sélectionnant un programme court à température modérée. Le nettoyage en lave-vaisselle peut décolorer le filtre à graisse, mais ceci n'altère nullement son efficacité.

Pour enlever le filtre à graisse, tirez la petite poignée à ressort.

Filtre à charbon actif (version recyclage uniquement)

Il neutralise les odeurs désagréables de cuisson.

Le filtre à charbon actif est saturé au bout d'une durée d'utilisation plus ou moins longue, en fonction du type de cuisson que vous pratiquez et de la régularité du nettoyage du filtre à graisse.

Dans tous les cas, il faut remplacer la cartouche au moins tous les 4 mois. Le filtre à charbon ne DOIT PAS être lavé ou régénéré.

Filtres à charbon circulaires

Appliquez un filtre de chaque côté, sur les deux grilles protégeant les pales du ventilateur, puis tournez-les dans le sens des aiguilles d'une montre.

Pour les enlever, tournez-les dans le sens antihoraire.

Remplacement des lampes

La hotte est équipée de lampes à LED.

Elles garantissent un éclairage optimal, durent dix fois plus longtemps que les ampoules traditionnelles et permettent d'économiser 90% d'électricité.

En cas de dysfonctionnement du système d'éclairage, contacter le service technique.

PT EXAUSTOR

É favor seguir escrupulosamente as instruções deste manual. O construtor não se responsabiliza por qualquer inconveniente, dano ou incêndio resultante do incumprimento das instruções que constam deste manual. O exaustor está previsto para aspirar os fumos e vapores de cozedura e é destinado exclusivamente para um uso doméstico.

O exaustor pode ter um aspeto diferente daquele que é representado nas ilustrações deste modo de utilização, no entanto as instruções para a utilização, a manutenção e a instalação permanecem idênticas.

- ! Conserve este manual para poder consultá-lo em qualquer momento. No caso de venda, de cessão ou de mudança de casa, é favor verificar que fica com o aparelho!
- ! Leia atentamente este manual: possui informações importantes sobre a instalação, a utilização e a segurança!
- ! Não efetue nenhuma modificação elétrica ou mecânica no aparelho ou na conduta de evacuação!
- ! Antes de instalar o aparelho, verifique se nenhum elemento está danificado. Se for o caso, contacte o seu revendedor e não proceda à instalação!

Nota: os elementos com um asterisco (*) são acessórios opcionais fornecidos apenas com alguns modelos ou peças não fornecidos que devem ser comprados à parte.



ADVERTÊNCIA

AVISO!

- ! Não ligue o aparelho ao circuito elétrico enquanto a instalação não está completamente terminada.
- ! Antes de qualquer operação de limpeza ou de manutenção, desligue o exaustor da fonte de alimentação elétrica retirando a ficha da tomada elétrica ou, no caso de ligação permanente, desarmando o disjuntor.
- ! Ponha luvas de proteção antes de efetuar qualquer operação de instalação e de manutenção.
- ! Este aparelho não está previsto para as crianças ou as pessoas com capacidades físicas, sensoriais ou mentais reduzidas ou sem experiência e de conhecimentos. Apenas poderão utilizá-lo sob a vigilância de um adulto responsável pela sua segurança e depois de a ter informado do seu funcionamento.
- ! O exaustor está previsto para os adultos. Vigie as crianças para que estas não brinquem com o aparelho ou com os seus comandos.
- ! Nunca coloque o exaustor em funcionamento se a grelha não estiver colocada corretamente no devido lugar.
- ! Não pose NENHUM objeto em cima do exaustor exceto se for expressamente autorizado.
- ! Quando o exaustor funciona ao mesmo tempo que outros aparelhos a gás ou outros combustíveis, a cozinha deve dispor de uma ventilação suficiente.
- ! O ar aspirado pelo exaustor nunca deve ser expulso pela conduta de evacuação dos fumos de combustão libertados por aparelhos que funcionam a gás ou outros combustíveis.
- ! É rigorosamente proibir flamejar os alimentos debaixo do exaustor.
- ! Evite deixar queimar uma chama nua debaixo do exaustor, pois isso pode danificar os filtros e provocar um incêndio.
- ! Vigie os fritos permanentemente, pois a gordura ou o óleo aquecido em excesso pode arder.
- ! As partes acessíveis do exaustor podem ficarem bastantes quentes quando os aparelhos de cozedura estão em funcionamento.
- ! Relativamente às medidas técnicas de segurança para a evacuação dos fumos, respeite rigorosamente as regulamentações e normas em vigor no seu país.
- ! O exaustor deve ser regularmente limpo, tanto no interior como no exterior (PELO MENOS UMA VEZ POR MÊS), e isso respeitando as instruções de manutenção fornecidas neste manual. O incumprimento das instruções sobre a limpeza do exaustor assim como a substituição e a limpeza dos filtros pode provocar um risco de incêndio.
- ! Para evitar qualquer risco de choque elétrico, não utilize o exaustor se as lâmpadas não estiverem no devido lugar.
- ! Não nos responsabilizamos por qualquer disfunção, dano ou incêndio resultante do incumprimento das instruções deste manual.



Este símbolo aparece no produto ou na sua embalagem em aplicação da diretiva europeia 2002/96/CE sobre os Resíduos de Equipamento Elétrico e Eletrónico (REEE). Esta diretiva serve de regulamento quadro à retoma, reciclagem e valorização dos aparelhos usados em toda a Europa. Este produto deve estar sujeito a uma recolha seletiva. Quando já não o utilizar, entregue-o a um serviço de recolha especializado ou a um centro de tratamento de resíduos que trata dos REEE; contribuirá assim para evitar consequências nefastas para a saúde e o ambiente.

Para qualquer informação sobre a reciclagem deste produto, é favor contactar a câmara ou o serviço da limpeza da sua municipalidade, ou ainda a loja onde o comprou.

Este aparelho foi desenvolvido, testado e fabricado de acordo com as seguintes normas:

- **Segurança:** EN/IEC 60335-1; EN/IEC 60335-2-31, EN/IEC 62233.
- **Performances:** EN/IEC 61591; ISO 5167-1; ISO 5167-3; ISO 5168; EN/IEC 60704-1; EN/IEC 60704-2-13; ISO 3741; EN 50564; IEC 62301.
- **Compatibilidade eletromagnética:** EN 55014-1; CISPR 14-1; EN 55014-2; CISPR 14-2; EN/IEC 61000-3-2; EN/IEC 61000-3-3.

Sugestões para uma utilização correta de forma a reduzir o impacto sobre o ambiente : ponha o exaustor em FUNCIONAMENTO à velocidade mínima quando começa a cozinhar e deixe-a funcionar durante alguns minutos após o fim da cozedura. Aumente a velocidade apenas no caso de fumo e de vapor importantes e apenas utilize a função booster em situações extremas. Substitua o(s) filtro(s) de carvão quando é necessário para que os odores sejam eliminados. Limpe o(s) filtro(s) de gordura quando é necessário para manter a sua eficácia. Sobre a bainha de evacuação, escolha o diâmetro máximo indicado neste manual para otimizar a eficácia e minimizar o ruído.

Instruções suplementares para a instalação

Para a instalação, utilize apenas os parafusos de fixação fornecidos com o produto ou, se não for possível, compre parafusos apropriados. Devem ter o comprimento indicado no Guia de instalação.

No caso de dúvida, consulte o serviço pós-venda autorizado ou uma pessoa qualificada.

AVISO! Se os parafusos ou o dispositivo de fixação não estiverem instalados de acordo com estas instruções, pode provocar riscos elétricos.

UTILIZAÇÃO

O exaustor pode funcionar em modo evacuação ou em modo reciclagem.



Versão evacuação

Neste caso, os vapores de cozedura são expulsos para o exterior através de um tubo de evacuação que é fixo a um anel de ligação cilíndrico montado na parte superior do exaustor.

Aviso! O tubo de evacuação não é fornecido e deve ser comprado à parte. O seu diâmetro deve ser igual ao do anel de ligação cilíndrico. No seu percurso horizontal, o tubo deve ser ligeiramente inclinado para cima (cerca de 10°) de forma a expulsar o ar mais facilmente para o exterior.

Aviso! Se o exaustor estiver equipado de um filtro de carvão, será necessário retirá-lo.

O tubo de evacuação ligado ao exaustor e os orifícios perfurados nas paredes para a passagem do tubo devem ter o mesmo diâmetro que a saída de ar. Se eles tiverem um diâmetro inferior, irá provocar uma diminuição das performances de aspiração e um nítido aumento do ruído. Não nos responsabilizamos relativamente a este assunto.

- ! O tubo não deve ser mais comprido que o necessário.
- ! Os cotovelos do tubo devem ser os menos numerosos possíveis (ângulo máximo do cotovelo: 90°).
- ! Evite as variações excessivas da secção do tubo.
- ! Utilize um tubo mais liso possível na sua parte interna.
- ! O material do tubo deve estar conforme às normas em vigor.



Versão reciclagem

Convém utilizar um filtro de carvão ativo, disponível junto do seu revendedor habitual.

O ar aspirado será desengordurado e desodorizado antes de ser expulso para a peça através da grelha superior.

INSTALAÇÃO

O exaustor não deve ser instalado a menos de 50 cm acima de uma placa de cozedura elétrica e a menos de 65 cm de uma placa de gás ou mista.

Se o manual de utilização de um fogão ou de uma placa de cozedura a gás prevê uma distância superior, será necessário seguir estas recomendações.



Ligação elétrica

A tensão e a frequência da rede elétrica da sua habitação devem corresponder à tensão e à frequência indicadas na placa das características colocada no interior do aparelho. Se o exaustor tiver uma ficha elétrica, introduza firmemente a ficha numa tomada mural que deverá ser conforme às regulamentações e normas em vigor; esta ficha deve permanecer acessível após a instalação. Se o exaustor não estiver equipado de um cabo elétrico, ou se a ficha mural não estiver numa zona acessível após instalação, o aparelho deverá ficar ligado diretamente à rede elétrica; será então necessário, de acordo com as regras da arte, prever um disjuntor bipolar normalizado, capaz de separar completamente o aparelho do circuito elétrico no caso de sobretensão de categoria III.

Aviso: antes de voltar a ligar o exaustor à rede elétrica e de controlar o seu bom funcionamento, verifique sempre se o cabo de alimentação está corretamente instalado.

Instalação

O aparelho é muito pesado; é melhor prever pelo menos duas pessoas para manipulá-lo e instalá-lo.

Antes de iniciar a instalação:

- Verifique se o produto comprado tem as dimensões adequadas para ser instalado no lugar escolhido.
- Retire o(s) filtro(s) de carvão ativo (*) se estes forem fornecidos (ver igualmente o capítulo "Manutenção"). Terá de voltar a colocá-lo no devido lugar se utilizar o exaustor em modo reciclagem.
- Verifique se não resta qualquer pequeno material no interior do exaustor (saquinho de parafusos (*), carta de garantia (*), etc. Se for o caso, retire-os e conserve-os.
- Retire se possível os móveis que enquadram o exaustor e se encontram por baixo do mesmo para aceder mais facilmente à parede ou ao teto onde está fixo. Se não for possível, proteja com uma tela espessa a placa de cozedura, o plano de trabalho e os móveis adjacentes para os proteger dos eventuais danos e sujidades. Escolha uma superfície plana para montar o aparelho. Cubra esta superfície com uma proteção, e depois coloque em cima o exaustor e todas as peças fornecidas.
- Verifique se existe, em proximidade do lugar destinado ao exaustor, uma tomada elétrica que permanecerá acessível quando o aparelho estiver instalado. Certifique-se igualmente que é possível ligar o exaustor a uma bainha de evacuação que dê para o exterior da habitação (apenas se quiser utilizar o aparelho em modo evacuação).
- Realize todos os trabalhos preparatórios (instalação de uma tomada elétrica, realização de um furo para a passagem do tubo de evacuação dos vapores).

O exaustor é entregue com cavilhas de expansão que permitem fixá-lo solidamente à maioria das paredes e tetos. No entanto recomenda-se que um técnico qualificado verifique se as cavilhas e os parafusos estão apropriados para a sua parede/teto. A parede ou o teto devem ser suficientemente sólidos para suportar o peso do exaustor. **Não coloque azulejos no exaustor nem junta de silicone ou outro material; deve apenas estar fixo à parede.**

FUNCIONAMENTO

Apenas utilize a potência de aspiração máxima no caso de concentração muito importante de vapores de cozedura. Recomenda-se de colocar o exaustor em funcionamento durante 5 minutos antes de iniciar a cozedura e de deixar funcionar durante 15 minutos após tê-la terminada.

Comandos mecânicos



☉: Prima o botão Iluminação para ACENDER a luz. Prima novamente este botão para a APAGAR.

⊕: Prima o botão Velocidade 1 para voltar a colocar em funcionamento o motor à velocidade 1.

⊕⊕: Prima o botão Velocidade 2 para voltar a colocar em funcionamento o motor à velocidade 2.

⊕⊕⊕: Prima o botão Velocidade 3 para voltar a colocar em funcionamento o motor à velocidade 3.

○: Prima o botão Desligar para desligar o motor.

Teclas eletrónicas



Quando o exaustor está ligado à rede elétrica, está em modo stand-by e apenas as teclas Ligar/Desligar e Iluminação são semi-luminosas. As teclas das velocidades 1 a 3 não são retro-iluminadas e não pode selecioná-las.

⏻: Prima a tecla Ligar/Desligar para poder selecionar a velocidade do motor. Quando tocar a tecla Ligar/Desligar, as teclas das velocidades 1 a 3 são semi-luminosas.

⊕: Prima a tecla Velocidade 1 para voltar a colocar em funcionamento o motor à velocidade 1.

⊕⊕: Prima a tecla Velocidade 2 para voltar a colocar em funcionamento o motor à velocidade 2.

⊕⊕⊕: Prima a tecla Velocidade 3 para voltar a colocar em funcionamento o motor à velocidade 3.

☉: Prima a tecla Iluminação para ACENDER a luz. Prima novamente esta tecla para a APAGAR.

MANUTENÇÃO

AVISO: antes de proceder a qualquer operação de limpeza ou de manutenção, desligue o aparelho da fonte de alimentação elétrica removendo a ficha da tomada elétrica ou, no caso de ligação permanente, desarmando o disjuntor, ou ainda retirando o fusível.

Limpeza

O exaustor deve ser limpo regularmente no interior e exterior (pelo menos à mesma frequência que os filtros de gordura). Utilize para tal uma esponja macia e um detergente líquido neutro. Evite qualquer produto abrasivo. **NÃO UTILIZE NENHUM ÁLCOOL!**

AVISO: se não respeitar as recomendações sobre a limpeza do exaustor e a substituição dos filtros, pode expor-se a um risco de incêndio.

O construtor não é responsável no caso de danos ao motor ou de incêndio resultante de uma manutenção negligente ou do incumprimento das instruções de segurança anteriormente mencionadas.

Filtro de gordura

Retém as partículas gordas provenientes da cozedura.

O **filtro de gordura** deve ser limpo uma vez por mês com um detergente não agressivo, à mão ou na máquina de lavar louça selecionando um programa curto em temperatura moderada. A limpeza na máquina de lavar louça pode descolorir o filtro de gordura, mas isso não altera em nada a sua eficácia.

Para retirar o filtro de gordura, puxe a pequena pega de mola.

Filtro de carvão ativo (versão reciclagem apenas)

Neutraliza os odores desagradáveis de cozedura.

O **filtro de carvão ativo** fica saturado após uma mais ou menos longa duração de utilização, em função do tipo de cozedura que praticar e da regularidade da limpeza do filtro de gordura.

Em todos os casos, é necessário substituir o cartucho pelo menos de 4 em 4 meses. O filtro de carvão não DEVE ser lavado ou regenerado.

Filtros de carvão circulares

Aplique um filtro de cada lado, nas duas grelhas protegendo as palas do ventilador, e depois rode-as no sentido dos ponteiros de um relógio.

Para as retirar, rode-as no sentido anti-horário.

Substituir lâmpadas

O exaustor está equipado de lâmpadas de LED.

Estas lâmpadas garantem uma ótima iluminação, duram dez vezes mais tempos que as lâmpadas tradicionais e permitem poupar 90% de eletricidade.

Em caso de mau funcionamento do sistema de iluminação, contactar a assistência técnica.

PL OKAP WYCIĄGOWY

Należy stosować się do wskazówek, zawartych w niniejszej instrukcji obsługi. Producent nie ponosi odpowiedzialności za ewentualne nieprawidłowości, szkody czy też pożar, do których mogłoby dojść na skutek niezastosowania się do wskazówek, zawartych w niniejszej instrukcji obsługi. Okap wyciągowy przeznaczony jest do odsysania dymów i pary, które powstają podczas gotowania. Urządzenie przeznaczone jest wyłącznie do użytku domowego, w gospodarstwie domowym.

Okap wyciągowy może wyglądać inaczej niż na rysunkach, znajdujących się w tej instrukcji. Bez względu na to instrukcja obsługi, konserwacji i montażu pozostaje niezmienną.

- ! Niniejszą instrukcję obsługi zachować, aby móc w dowolnym momencie ponownie z niej skorzystać. Sprzedając czy oddając urządzenie innemu użytkownikowi należy zadbać, aby zawsze była do niego załączona również instrukcja obsługi.
- ! Uważnie należy zapoznać się z instrukcją obsługi, ponieważ zawiera ona ważne informacje dotyczące montażu, bezpiecznego użytkowania i konserwacji urządzenia.
- ! Nie należy dokonywać jakichkolwiek ingerencji w systemy elektryczne czy mechaniczne urządzenia czy też zabiegów mających na celu dostosowanie urządzenia do własnych potrzeb czy też ingerować w system przewodów lub rur odprowadzających.
- ! Przed montażem urządzenia należy sprawdzić, czy żadne jego części nie zostały uszkodzone. Jeżeli okaże się, że jakiś element składowy urządzenia został uszkodzony, należy powiadomić o tym sprzedawcę i wstrzymać montaż urządzenia.

Uwaga: Elementy, oznaczone symbolem "(*)", stanowią dodatkowe wyposażenie, załączone jedynie do niektórych modeli lub też są dostępne jako dodatkowe wyposażenie i nie są załączone do urządzenia.



UWAGA! OSTRZEŻENIE!

- ! Urządzenia nie należy przyłączać do sieci elektrycznej, dopóki jego montaż nie został jeszcze zakończony.
- ! Przed czyszczeniem bądź konserwacją okapu należy odłączyć z sieci elektrycznej, wysuwając wtyczkę z gniazda sieciowego lub wyłączając główny wyłącznik prądu.
- ! Podczas wykonywania jakichkolwiek prac montażowych lub konserwacyjnych należy zawsze nosić rękawice ochronne.
- ! Urządzenie nie jest przeznaczone do użytkowania przez dzieci lub osoby o zmniejszonych możliwościach fizycznych czy umysłowych lub osoby bez odpowiedniej wiedzy i doświadczenia, chyba że użytkują one niniejsze urządzenie, znajdując się pod odpowiednią opieką lub jeżeli otrzymały odpowiednie wskazówki od osób, odpowiedzialnych za ich bezpieczeństwo.
- ! Urządzenie przeznaczone jest do użytkowania przez osoby dorosłe. Nie należy małym dzieciom pozwolić, aby bawiły się urządzeniem.
- ! Urządzenie przeznaczone jest do użytkowania przez osoby dorosłe. Nie należy pozwolić, aby dzieci bawiły się elementami sterującymi urządzenia czy też samym urządzeniem.
- ! Okapu nie należy stosować bez odpowiednio zamocowanej siatki filtra!
- ! Okapu NIGDY nie należy stosować jako elementu nośnego lub podpierającego, chyba że zostało to wyraźnie dozwolone.
- ! Jeżeli w pomieszczeniu, w którym zamocowany jest okap wyciągowy, używane są również przyrządy czy urządzenia, w których spala się gaz ziemny lub inne paliwo, pomieszczenie takie powinno być wyposażone w dobrą wentylację.
- ! System odprowadzania wycieków z urządzenia nie powinien być podłączony do istniejącego systemu wentylacyjnego, wykorzystywanego już do jakiś innych celów, na przykład do odprowadzania gazów, powstałych podczas spalania gazu lub innego rodzajów paliw.
- ! Flambowanie lub używanie otwartego ognia bezpośrednio pod okapem jest surowo zabronione.
- ! Używanie otwartego ognia uszkadza filtry i stwarza ryzyko powstania pożaru, dlatego należy unikać otwartego ognia.
- ! Podczas smażenia należy szczególnie uważać, aby olej się nie przegrzał i zapalił.
- ! Najbardziej narażone elementy okapu mogą się mocno nagrzać podczas działania płyty kuchennej, umieszczonej pod okapem.
- ! W związku z zaleceniami technicznymi jak i bezpieczeństwa, przy odprowadzaniu gazów ważne jest, aby konsekwentnie stosować się do przepisów, określonych przez właściwe instytucje lokalne.
- ! Okap wyciągowy należy regularnie czyścić, zarówno z zewnątrz jak i wewnątrz (PRZYNAJMNIJ RAZ NA MIESIĄC).
- ! Okap należy czyścić zgodnie ze wskazówkami dotyczącymi konserwacji, zawartymi w niniejszej instrukcji obsługi. Niezastosowanie się do zaleceń, podanych w niniejszej instrukcji obsługi, dotyczących czyszczenia okapu wyciągowego i filtrów, może doprowadzić do powstania pożaru.
- ! Urządzenia nie należy stosować czy też pozostawiać go bez odpowiednio zamontowanej żarówki, ponieważ stwarza to ryzyko porażenia prądem elektrycznym.
- ! Producent nie bierze na siebie jakiegokolwiek odpowiedzialności za usterki, szkody lub pożar urządzenia, powstałe na skutek niezastosowania się do zaleceń, zawartych w niniejszej instrukcji obsługi.
- ! Urządzenie oznakowano zgodnie z dyrektywą europejską 2002/96/WE w sprawie zużytego sprzętu elektrycznego i elektronicznego. Dbając o prawidłową utylizację tego produktu, zapobiega się powstawaniu szkodliwych dla otoczenia i zdrowia ludzi skutków, do których mogłoby doprowadzić nieodpowiednie usunięcie niniejszego produktu po zakończeniu jego eksploatacji.



Symbol na produkcie lub przynależnej do niego dokumentacji oznacza, że zużytego produktu nie należy traktować jako zwykłego odpadu komunalnego. Produkt należy przekazać do autoryzowanego punktu zbiórki i uzdatniania sprzętu elektrycznego i elektronicznego. Urządzenie należy usunąć zgodnie z lokalnymi przepisami o ochronie środowiska, odnoszącymi się do składowania odpadów.

W celu uzyskania dalszych i bardziej szczegółowych informacji, dotyczących prawidłowej utylizacji, zbierania i recyklingu niniejszego urządzenia, należy zwrócić się do właściwych organów władz lokalnych, lokalnego przedsiębiorstwa komunalnego lub do sklepu, gdzie zakupione zostało urządzenie.

Urządzenie zostało zaprojektowane, przetestowane i wykonane zgodnie z następującymi normami bądź przepisami:

- **Bezpieczeństwo:** EN/IEC 60335-1; EN/IEC 60335-2-31, EN/IEC 62233.

- **Efektywność działania:** EN/IEC 61591; ISO 5167-1; ISO 5167-3; ISO 5168; EN/IEC 60704-1; EN/IEC 60704-2-13; ISO 3741; EN 50564; IEC 62301.
- **EMC (kompatybilność elektromagnetyczna):** EN 55014-1; CISPR 14-1; EN 55014-2; CISPR 14-2; EN/IEC 61000-3-2; EN/IEC 61000-3-3.
- Zalecenia dotyczące prawidłowego użytkowania, zmniejszające wpływ na środowisko: WŁĄCZYĆ okap na najniższej prędkości, gdy rozpoczyna się gotowanie. Pozostawić go włączanego jeszcze przez kilka minut po zakończeniu gotowania. Prędkość bądź stopień działania należy podwyższyć jedynie w przypadku większej ilości dymu i pary, szczególnie intensywne działanie czy też wysoką prędkość należy stosować jedynie w skrajnych sytuacjach. Aby zachować wysoką efektywność usuwania nieprzyjemnych zapachów, należy w razie potrzeby wymieniać filtry węglowe (bądź filtr węglowy). W razie potrzeby należy też czyścić filtry tłuszczowe (bądź filtr tłuszczowy), w celu zachowania ich wysokiej efektywności działania. Stosować należy rury odprowadzające o największej średnicy, podanej w niniejszej instrukcji obsługi, efektywność będzie wówczas optymalna, a przy tym zachowany najniższy poziom hałasu.

Dodatkowe zalecenia dotyczące montażu:

Do montażu należy stosować jedynie śruby mocujące, załączone do urządzenia. Jeżeli śruby nie zostały załączone, należy kupić śruby odpowiedniego typu. Użyć należy śrub o odpowiedniej długości, zgodnie z danymi z instrukcji montażu.

W razie jakichkolwiek wątpliwości zalecamy skontaktować się z upoważnionym serwisem, działem pomocy użytkownikom lub inną specjalistycznie wyszkoloną osobą.

OSTRZEŻENIE! Jeśli śruby lub obudowa nie zostaną zamocowane zgodnie z niniejszą instrukcją obsługi, może spowodować to ryzyko porażenia prądem elektrycznym.

SPOSÓB UŻYTKOWANIA

Okap wyciągowy wykonany jest w taki sposób, że może być stosowany zarówno w wersji wyciągu albo pochłaniacza zapachów.



Wersja wyciągu

W tym przypadku dymy zostają odprowadzone na zewnątrz za pomocą specjalnej rury, przyłączonej za pomocą odpowiedniego kołnierza łączeniowego, znajdującego się w górnej części okapu.

Uwaga! Rura nie została załączona i należy ją kupić oddzielnie.

Średnica rury odprowadzającej powinna być równa średnicy kołnierza łączeniowego.

W poziomym odcinku rura powinna być nieco wygięta do góry (o około 10°), żeby ułatwić odprowadzenie powietrza z pomieszczenia na zewnątrz.

Uwaga! Jeżeli okap wyposażony jest w filtry węglowe, należy je usunąć.

Do połączenia okapu i otworu w ścianie do odprowadzania oparów bądź gazów należy zastosować rurę o średnicy jednakowej średnicy otworu wyjściowego w okapie (kołnierza łączeniowego).

Jeżeli średnica rury lub otworu w ścianie jest mniejsza, moc odsysania będzie niższa, a poziom hałasu w znaczący sposób się podwyższy.

W takich przypadkach producent uchyla się od jakiegokolwiek odpowiedzialności.

! Rura odprowadzająca powietrze powinna być jak najkrótsza.

! Montując rurę odprowadzającą powietrze należy zadbać, aby miała jak najmniej zalań. Największy dozwolony kąt zalań wynosi 90°.

! Unikać należy większych zmian przekroju rury odprowadzającej powietrze.

! Wewnętrzna powierzchnia rury odprowadzającej powietrze powinna być jak najgładsza.

! Rura odprowadzająca powietrze powinna być wykonana z materiałów posiadających odpowiednie certyfikaty.



Wersja pochłaniacza

Dla tej wersji potrzebny jest jeden filtr węglowy, który należy nabyć w sklepie z urządzeniami gospodarstwa domowego.

Filtr usunąć i zapachy z odsysanego powietrza, a następnie tak oczyszczone powietrze oddaje do pomieszczenia poprzez szczeliny wyjściowe w górnej części urządzenia.

MONTAŻ

Minimalna odległość pomiędzy powierzchnią nośną płyty kuchennej a najniższym elementem okapu nie powinna być mniejsza niż 55 cm w przypadku elektrycznych płyt kuchennych bądź 65 cm w przypadku gazowych lub kombinowanych płyt kuchennych.

Jeśli w instrukcji montażu gazowej płyty kuchennej podana jest większa odległość, należy to uwzględnić.



Przyłączenie do sieci elektrycznej

Parametry instalacji elektrycznej powinny odpowiadać danym technicznym podanym na tabliczce znamionowej, znajdującej się wewnątrz okapu. Jeżeli na przewodzie przyłączeniowym okapu znajduje się wtyczka, okap należy przyłączyć za pomocą wtyczki, odpowiadającej obowiązującym przepisom i umieszczonej w taki sposób, że po montażu jest ona łatwo dostępna. Jeśli przewód przyłączeniowy nie jest wyposażony we wtyczkę (bezpośrednie przyłączenie do sieci elektrycznej) lub jeżeli wtyczka po zakończonym montażu nie jest łatwo dostępna, należy zainstalować

dwubiegunowy wyłącznik, odpowiadający normom i zapewniający całkowite odcięcie urządzenia od sieci elektrycznej w warunkach przepięciowych klasy III, zgodnie z instrukcją montażu.

Ostrzeżenie! Zanim okap zostanie ponownie przyłączony do sieci elektrycznej i zostanie przetestowane jego działanie, zawsze należy sprawdzić, czy przewód przyłączony został prawidłowo zamocowany.

Typ montażu

Urządzenie jest bardzo ciężkie. Przy przemieszczaniu okapu i przy jego montażu powinny uczestniczyć przynajmniej dwie osoby.

Przed rozpoczęciem montażu:

- Należy sprawdzić, czy zakupiony produkt jest odpowiedniej wielkości, biorąc pod uwagę wybrany obszar montażu.
- Usunąć należy filtry węglowe czy filtr węglowy (*), jeżeli są załączone (patrz: odnośny rozdział). Filtry węglowe (czy filtr węglowy) należy zamocować, jeżeli okap będzie używany jako pochłaniacz.
- Sprawdź, czy wewnątrz okapu nie znajduje się jeszcze jakiś materiał lub inny przedmiot (który mógłby tam przedostać się podczas transportu, np. woreczek ze śrubami (*), karta gwarancyjna (*) itd.) i w razie potrzeby należy go usunąć.
- Jeśli jest to możliwe, należy odłączyć i przesunąć wolnostojącą kuchenkę bądź kuchenkę, którą można pociśnąć w wolną przestrzeń pomiędzy elementami kuchennymi, zapewniając sobie w ten sposób łatwiejszy dostęp do ściany za płytą kuchenną bądź do sufitu. Jeżeli nie jest to możliwe, płytę kuchenną bądź kuchenkę należy pokryć grubą matą ochronną, zabezpieczając przed uszkodzeniami i ciałami obcymi. Do składania elementów urządzenia należy wybrać równe podłoże. To podłoże należy pokryć matą ochronną, na której należy postawić wszystkie części składowe okapu wyciągowego oraz elementy do jego zamocowania.
- Ponadto należy sprawdzić, czy w pobliżu miejsca, gdzie zamierza się zamontować okap (miejsce, które będzie dostępne również po zakończeniu montażu okapu), jest dostępne gniazdko elektryczne oraz czy możliwe jest przyłączenie do instalacji, odprowadzającej opary na zewnątrz.
- Wykonać należy wszystkie potrzebne prace budowlane (np. montaż gniazdko elektrycznego i/ lub wykonanie otworu na rurę odprowadzającą).

W celu zamocowania okapu do większości rodzajów ścian lub sufitów, załączone zostały kołki rozporowe. Niezależnie od tego odpowiednio do tego wyszkolony specjalista powinien sprawdzić, czy materiały są odpowiednio do rodzaju bądź typu ściany/ sufitu. Ściana bądź sufit powinny być na tyle stabilne, aby wytrzymać ciężar okapu. Nie należy próbować zamontować urządzenia w ścianie czy też zabudować go za pomocą płytek, masy fugowej bądź tynku lub kitu silikonowego. Urządzenie przeznaczone jest tylko do montażu naściennego.

DZIAŁANIE

Wysoką prędkość odsysania należy stosować jedynie w przypadku wysokiej koncentracji oparów podczas gotowania. Zaleca się, aby okap włączyć na 5 minut przed rozpoczęciem gotowania, pozostawić go włączonego podczas gotowania oraz pozwolić, aby działał jeszcze przez około 15 minut po zakończeniu gotowania.

Sterowanie mechaniczne



☀️ W celu włączenia światła bądź oświetlenia na okapie, przycisnąć należy przycisk włączenia światła. W celu wyłączenia oświetlenia, ponownie należy przycisnąć ten przycisk.

➦ Przcisnąć należy przycisk prędkości działania 1, uruchamiając silnik, który działał będzie z prędkością 1.

➦ Przcisnąć należy przycisk prędkości działania 2, uruchamiając silnik, który działał będzie z prędkością 2.

➦ Przcisnąć należy przycisk prędkości działania 3, uruchamiając silnik który działał będzie z prędkością 3.

○ W celu wyłączenia okapu, przycisnąć należy przycisk wyłączenia.

Sterowanie sensorowe (dotykowe)



Po przyłączeniu okapu wyciągowego do źródła zasilania energią elektryczną, będzie się on znajdował w stanie gotowości i tylko pole dotykowe włączenia/wyłączenia silnika oraz pole dotykowe włączenia/wyłączenia oświetlenia będą częściowo podświetlone. Pola dotykowe wyboru prędkości działania silnika od stopnia 1 do stopnia 3 nie będą podświetlone i nie będzie ich można użyć.

☀️ Przcisnąć należy pole dotykowe włączenia/wyłączenia, aby udostępnić wybór prędkości działania silnika. Po przyciśnięciu pola dotykowego włączenia/wyłączenia, przyciski wyboru prędkości działania silnika (od 1 do 3) zostaną podświetlone.

➦ Przcisnąć należy pole dotykowe prędkości działania 1, uruchamiając silnik, który działał będzie z prędkością 1.

➦ Przcisnąć należy pole dotykowe prędkości działania 2, uruchamiając silnik, który działał będzie z prędkością 2.

➦ Przcisnąć należy pole dotykowe prędkości działania 3, uruchamiając silnik, który działał będzie z prędkością 3.

☀️ W celu włączenia światła bądź oświetlenia na okapie, przycisnąć należy pole dotykowe włączenia światła. W celu wyłączenia oświetlenia, ponownie należy przycisnąć to pole dotykowe.

KONSERWACJA

UWAGA! Przed jakimikolwiek pracami konserwacyjnymi lub ingerencją okap należy wyłączyć z sieci elektrycznej, wyłączając go przy przyłączy i usuwając bezpiecznik przyłącza.

Jeżeli urządzenie przyłączone jest do sieci elektrycznej za pomocą wtyczki, wówczas wtyczkę należy wysunąć z gniazdka.

Czyszczenie

Okap należy regularnie czyścić (przynajmniej tak samo często, jak czyszczony jest filtr tłuszczowy), zarówno z wewnętrznej jak i zewnętrznej strony. Czyścić należy, używając do tego ściereczki, nasączonej neutralnym środkiem czyszczącym. Nie stosować agresywnych czy ścierających środków czyszczących. **NIE STOSOWAĆ ALKOHOLU!**

OSTRZEŻENIE:

Dlatego zaleca się, aby stosować się do zaleceń. Producent uchyla się od jakiegokolwiek odpowiedzialności za uszkodzenia silnika lub szkodę, powstałą na skutek wybuchu pożaru, jeśli uszkodzenia te lub szkoda są skutkiem nieodpowiedniej konserwacji lub niezastosowania się do powyżej wymienionych zaleceń bezpieczeństwa.

Filtr tłuszczowy

Filtr tłuszczowy zatrzymuje cząstki tłuszczu.

Filtr tłuszczowy należy czyścić raz w miesiącu za pomocą delikatnych środków czyszczących, ręcznie lub w zmywarce do naczyń, ustawionej na krótki program i niską temperaturę. Jeżeli filtr jest myty w zmywarce do naczyń, może się odbarwić, co w żaden sposób nie wpływa na efektywność filtrowania.

Filtr tłuszczowy należy wysunąć, zwalniając uchwyt sprężynowy.

Filtr węglowy (tylko w wersji pochłaniacza)

Filtr węglowy pochłania nieprzyjemne zapachy, powstające podczas gotowania.

Po dłuższym użytkowaniu dochodzi do nasycenia się **filtra węglowego**. To, po jakim okresie czasu do tego dochodzi, zależy od sposobu gotowania i tego, jak często czyszczony jest filtr tłuszczowy.

W każdym przypadku wkład filtra węglowego należy wymieniać co cztery miesiące.

Filtra węglowego **NIE** wolno myć czy regenerować.

Obiegowy filtr węglowy

Umieścić należy po jednym z każdej strony jako pokrywę tak, by zabezpieczał on kratkę wentylatora, a następnie należy go obrócić w kierunku zgodnym z ruchem wskazówek zegara.

Chcąc go usunąć, należy go obrócić w kierunku przeciwnym do ruchu wskazówek zegara.

Wymiana żarówek

Okap jest wyposażony w system oświetlenia, bazujący na technologii LED.

Żarówki LED zapewniają optymalne oświetlenie, okres ich eksploatacji jest 10-krotnie dłuższy niż okres eksploatacji zwykłych żarówek, a równocześnie umożliwiają 90 % oszczędność energii elektrycznej.

Chcąc wymieniać żarówki, należy zwrócić się do serwisu naprawczego.

ET ÕHUPUHASTI

Järgige selles juhendis toodud juhtnööre. Selles kasutusjuhendis sisalduvate juhtnööride eiramisest põhjustatud ebamugavuste, kahjude või põlengute eest lasub vastutus kasutajal. Kubu on mõeldud toiduvalmistamisel tekkiva auru ja suitsu imemiseks ning ainult kodus kasutamiseks.

Kubu võib erineda siin toodud kujutistest. Kasutus-, hooldus- ja paigaldusjuhised on siiski samad.

! Brošüür tuleb alles hoida, et seda saaks vajaduse korral alati lugeda. Seadme müümisel, loovutamisel või mujale viimisel peab brošüür sellega kindlasti kaasas olema.

! Tutvuge juhistega põhjalikult: need sisaldavad olulist teavet paigaldamise, kasutamise ja ohutuse kohta.

! Ärge muutke toote või selle väljalaskevade elektrilist või mehaanilist ehitust.

! Enne seadme paigaldamist veenduge, et ükski osa ei oleks vigas saanud. Kui on, võtke ühendust edasimüüjaga ja ärge paigaldamisega alustage.

NB! Sümboliga (*) märgitud komponendid on lisatarvikud, mis tarnitakse ainult teatavate mudelite või komponentide ostmisel, mitte koos tootega.



ETTEVAATUST!

HOIATUS!

! Ärge seadet elektrivõrku ühendage enne, kui see on täielikult paigaldatud.

! Enne kubu puhastamist või hooldamist ühendage see elektrivõrgust lahti, eemaldades pistiku või lülitades elektritoite välja.

! Paigaldus- ja hooldustööde ajal kandke alati töökindaid.

! Käesolev seade ei ole mõeldud kasutamiseks lastele ega piiratud füüsiliste, sensorsete või vaimsete võimetega ega asjakohaste kogemuste ja teadmisteta isikutele, välja arvatud juhul, kui nende ohutuse eest vastutav isik on andnud neile seadme ohutu kasutamise kohta juhiseid või kui seadet kasutatakse nimetatud isiku järelevalve all.

! Seade on mõeldud kasutamiseks täiskasvanutele; lapsi tuleb jälgida, veendumaks et nad seadmega ei mängi.

! Seade on mõeldud kasutamiseks täiskasvanutele. Lastel ei tohi lasta juhtnuppe rikkuda ega seadmega mängida.

! Kubu ei tohi kasutada ilma korralikult kinnitatud võreta!

! Kubu ei tohi KUNAGI kasutada toetuspinnana, välja arvatud juhul, kui on konkreetselt osutatud teisiti.

! Ruumis, kuhu kubu paigaldatakse, peab olema piisav ventilatsioon, kui seadet kasutatakse koos muude gaasipõletusseadmetega või kütustega.

! Seadme torusüsteemi ei tohi ühendada olemasoleva ventilatsioonisüsteemiga, mida kasutatakse mingil muul otstarbel, näiteks selleks, et gaasi või muud kütust põletavatest seadmetest heitgaase välja juhtida.

! Kubu all toidu leegiga põletamine on rangelt keelatud.

! Lahtise tule kasutamine kahjustab filtrit ja on tuleohtlik ning seega tuleb seda kõigi asjaolude korral vältida.

! Praadimisel tuleb olla ettevaatlik, et õli ei kuumeneks üle ega süttiks.

! Kubu ligipääsetavad osad võivad küpsetusseadme kasutamisel kuumeneda.

! Auru eraldamisel rakendatavate tehniliste ja ohutusmeetmete osas tuleb täpselt järgida kohaliku omavalitsuse kehtestatud eeskirju.

! Kubu tuleb korrapäraselt seest ja väljast puhastada (VÄHEMALT KORD KUUS).

! See tuleb teostada vastavalt lisatud hooldusjuhistele. Kasutusjuhendis toodud kubu ja filtre puhastamist käsitlevate juhtnööride eiramisel tekib põlenguohut.

! Ärge kasutage ega jätke kubu selliselt, et pirnid ei ole korrektselt paigaldatud – elektrilöögi oht.

! Me ei võta vastutust seadmega seotud rikete, kahjude ega põlengute eest, mis tulenevad kasutusjuhendis sisalduvate juhtnööride eiramisest.

! Seade on märgistatud vastavalt Euroopa elektri- ja elektroonikaseadmete jäätmete (WEEE) direktiivile 2012/96/EL. Õige jäätmekäitluse tagamisega aitate vältida võimalikke kahjulikke tagajärgi loodusele ja inimeste tervisele, mida selle seadme väär äraviskamine võib kaasa tuua.



Sümbol tootel või sellega kaasas olevates dokumentides tähendab, et toodet ei tohi käidelda olmeprügina. Selle asemel tuleb see viia elektriliste ja elektrooniliste seadmete kogumiseks ettenähtud jäätmegaama. Seadme utiliseerimine peab toimuma vastavalt kohalikele jäätmekäitluseeskirjadele.

Täiendava teabe saamiseks tootega seotud jäätmete kogumise ja ringlussevõtu korra kohta võtke ühendust kohaliku omavalitsuse vastava osakonnaga või olmeprügiga tegeleva kohaliku ametiga või kauplusega, kust te toote ostsite.

Seade on konstrueeritud, toodetud ja seda on katsetatud vastavalt järgmistele standarditele.

- **Ohutus:** EN/IEC 60335-1; EN/IEC 60335-2-31; EN/IEC 62233.
- **Jõudlus:** EN/IEC 61591; ISO 5167-1; ISO 5167-3; ISO 5168; EN/IEC 60704-1; EN/IEC 60704-2-13; ISO 3741; EN 50564; IEC 62301.
- **Elektromagnetiline ühilduvus:** EN 55014-1; CISPR 14-1; EN 55014-2; CISPR 14-2; EN/IEC 61000-3-2; EN/IEC 61000-3-3.

Soovitused õigeks, keskkonnamõju vähendavaks kasutuseks: toitu valmistama asudes lülitage kuhu sisse minimaalsel kiirusel ja jätke see pärast lõpetamist mõneks minutiks tööle. Suurendage kiirust ainult siis, kui suitsu ja auru tekib suures koguses ning kasutage maksimaalset kiirust ainult erakorralises olukorras. Asendage söefilter (-filtrid), kui on vaja parandada lõhnaeemaldamise tõhusust. Puhastage rasvafilter (-filtrid), kui on vaja parandada rasvafiltri tõhusust. Kasutage selles juhendis toodud maksimaalse läbimõõduga ventilatsioonikanaleid, et optimeerida tõhusust ja vähendada müra.

Täiendavad paigaldamisjuhised

Kasutage ainult koos tootega tarnitud kruvisid, kui need puuduvad, ostke õiget tüüpi kruvid.

Kasutage õige pikkusega kruvisid, lähtudes paigaldamisjuhendist.

Kahtluse korral pidage nõu volitatud teeninduskeskuse või muu kvalifitseeritud isikuga.

HOIATUS! Kui kruvide või kinnitusseadme paigaldamisel ei järgita käesolevaid juhiseid, on elektrilöögi oht.

KASUTUS

Kuhu on mõeldud kasutamiseks kas väljalaskesüsteemi või filtriga versioonis.



Torustuse versioon

Aur viiakse hoonest kuhu peal asuva ühendusrõnga külge kinnitatud spetsiaalse toru kaudu välja.

NBI! Väljalasketoru ei kuulu komplekti, vaid tuleb eraldi osta. Väljalasketoru läbimõõt

peab vastama ühendusrõngale.

Kui torud kulgevad horisontaalselt, siis peab väljalasketoru olema kerge kalde all (umbes 10°) ja ülespoole suunata, et õhu saaks ruumist välja juhtida.

NBI! Väljalasketoru ei kuulu komplekti, vaid tuleb eraldi osta.

Väljalasketoru läbimõõt peab vastama ühendusrõngale.

Kui torud kulgevad horisontaalselt, siis peab väljalasketoru olema kerge kalde all (umbes 10°) ja ülespoole suunata, et õhu saaks ruumist välja juhtida.

NBI! Kui kublul on aktiivsöefilter, siis tuleb see eemaldada.

Kuhu ja tühjenemisavad ühendada seinaga läbimõõduga, mis vastab õhuväljalaskeavale (ühendusäärrik).

Seintel väiksema läbimõõduga torude ja tühjenemisavade kasutamine vähendab imemisjõudu ja suurendab oluliselt müra.

Seega tootja selle eest vastutust ei võta.

! Toru peab olema minimaalse hädavajaliku pikkusega.

! Kasutage võimalikult sirget toru (maksimaalne põlvenurk: 90°).

! Välitige toru ristlõikes järske muutusi.

! Kasutage seest võimalikult siledat toru.

! Toru peab olema valmistatud sertifitseeritud materjalist.

Filtriga versioon

Selleks on vajalik üks aktiivsöefilter, mille leiata kauplusest.

Filter eemaldab väljuvast õhust rasva ja lõhnad enne, kui see ülemise väljalaskevõru kaudu kööki tagasi tuleb.

PAIGALDAMINE

Minimaalne kaugus pliidi olevate pannide/pottide tugipinna ja kuhu põhja vahel peab elektripliididel olema vähemalt 55 cm ning gaasi- ja segapliididel 65 cm.

Kui gaasipliidi kasutusjuhendis on ette nähtud suurem kaugus, siis tuleb seda järgida.



Elektriühendus

Põhitöiteallikas peab vastama kuhu siseküljel oleval andmeplaadil näidatud väärtusele. Kui kuhu on varustatud pistikuga, ühendage see pärast paigaldamist ligipääsetavas kohas oleva pesaga, järgides kehtivaid eeskirju. Kui kublul pistikut ei ole (ühendatakse otse vooluvõrku) või kui see ei asu ligipääsetavas kohas, kasutage pärast paigaldamist kooskõlas normidega ja vastavalt paigaldusjuhiste toetuspistikupesaga, mis tagab III kategooria ülevoolu korral täieliku vooluvõrgust lahtiühendamise.

Hoiatus!!

Enne kuhu vooluvõrguga uuesti ühendamist ja selle töötamise kontrollimist veenduge, et peajuhe oleks õigesti paigaldatud.

Paigaldamine

Toode on väga raske. Selle käsitsemiseks ja paigaldamiseks on vaja vähemalt kahte inimest. Enne paigaldama asumist:

- veenduge, et ostetud toode oleks valitud paigaldusala jaoks sobiva suurusega.
- Eemaldage söefilter (söefiltrid) (*), kui see (need) on komplektis (vt ka vastavat jaotist), Laske filter paigaldada üksnes siis, kui soovite kuhu filtrirežiimiga kasutada.
- Kontrollige, ega transportimisel ei ole kubusse jäänud muid esemeid (näiteks pakendeid kruvidega (*), garantiilehte (*) jms), eemaldage need ja hoidke alles.
- Võimaluse korral ühendage lahti ja viige kaugemale kapid ja tööpinnad, et tagaseinale/laele lihtsam ligi pääseda oleks. Kui seda ei ole võimalik teha, katke tööpind, pliit või kapid paksu materjaliga, et neid kahjustuste ja prügi eest kaitsta. Valige seadme kokkupanemiseks ühetasane pind. Katke pind kaitsematerjaliga ja asetage sellele kõik kuhu osad ja tööriistad.
- Lisaks kontrollige, kas kuhu paigaldamiskoha lähedal (kohas, millele pääseb ligi ka pärast kuhu paigaldamist) on elektripesa ja kas välja on võimalik ühendada gaasitõmbeseade (ainult imemisega kuhu puhul).
- Teostage müüritööd (näiteks pistikupesa paigaldamiseks ja/või augu tegemiseks tõmbetoru jaoks).

Kubuga on kaasas jämenevad seinatüübid, millega saab kuhu peaaegu igat tüüpi seinale/lakke kinnitada. Kvalifitseeritud tehnik peab siiski kontrollima, kas materjalid seinala/tüübile sobivad. Sein/lagi peab olema piisavalt tugev, et kuhu raskust kanda. **Seadme seina kinnitamiseks ei tohi kasutada plaate, krohvi ega silikooni. Ainult pindmontaaž.**

KASUTAMINE

Kontsentreeritud kõrgiaurude korral kasutage kõrget imemiskiirust. Kuhu imemisfunktsioon on soovitatav enne toitu valmistama asumist 5 minutiks sisse lülitada ja lasta sel töötada toiduvalmistamise ajal ja umbes 15 minutit pärast seda.

Mehaanilised juhtseadmed



- ⦿: Valgustuse sisselülitamiseks vajutage valgustuse nupule. Väljalülitamiseks vajutage ⦿ veel üks kord nupule. Mootori kiirusel 1 käivitamiseks vajutage kiiruse 1 nuppu.
- ⦿: Mootori kiirusel 2 käivitamiseks vajutage kiiruse 2 nuppu.
- ⦿: Mootori kiirusel 3 käivitamiseks vajutage kiiruse 3 nuppu.
- : Mootori väljalülitamiseks vajutage väljalülitamise nuppu.

Puutejuhtseadmed



Kui kuhu on vooluvõrk lülitatud, siis on see ooterežiimis ja ainult sisse-/väljalülitamise ja valgustuse nupud on tuhmilt valgustatud. Kiiruse nupud 1–3 ei ole valgustatud ning neid valida ei saa.

- ⦿ Mootori kiiruse valimiseks vajutage sisse-/väljalülitamise nuppu. Sisse-/väljalülitamise nupu valimisel süttib kiiruse nuppudes 1–3 ⦿ tuhm valgus. Mootori kiirusel 1 käivitamiseks vajutage kiiruse 1 nuppu.
- ⦿ Mootori kiirusel 2 käivitamiseks vajutage kiiruse 2 nuppu.
- ⦿ Mootori kiirusel 3 käivitamiseks vajutage kiiruse 3 nuppu.
- ⦿: Valgustuse sisselülitamiseks vajutage valgustuse nupule. Väljalülitamiseks vajutage veel üks kord nupule.

HOOLDUS

NB! Enne hooldust isoleerige kuhu elektritoitest, lülitades konnektori välja ja eemaldades selle kaitsme. Kui kuhu on ühendatud pistiku ja pesaga, siis eemaldage pistik pesast.

Puhastamine

Kuhu tuleb korrapäraselt seest ja väljast puhastada (vähemalt sama sageli, kui te rasvafiltrit hooldate). Kasutage puhastamiseks neutraalses pesuvedelikus niisutatud lappi. Ärge kasutage abrasiivseid vahendeid. **ALKOHOLI EI TOHI KASUTADA!**
HOIATUS!Kui kuhu vastavalt soovitusetele ei puhastata ja filtreid ei asendata, võib tekkida põlengu oht. See tõttu soovitage juhtnööre järgida. Tootja ei vastuta mootori kahjustuste ega põlengute eest, kui nende põhjuseks on vale hooldamine või eespool kirjeldatud ohutussoovituste eiramine.

Rasvafilter

Püüab kinni toidu valmistamisel tekkivad rasvaosakesed.

Rasvafiltrit peab puhastama kord kuus nõrgatoimelise pesuvahendiga või käsitsi või nõudepesumasinas madalal temperatuuril ja kasutades lühikest tsüklit. Nõudepesumasinas pesemisel võib rasvafilter veidi värvi muuta, kuid see ei mõjuta selle filtrimisomadusi. Rasvafiltri eemaldamiseks tõmmake vedruga vabastushooba.

Sõefilter (ainult filtriga versioon)

Imeb toiduvalmistamisel tekkivaid ebameeldivaid lõhnasid.

Pikemaajalisel kasutamisel **sõefilter** ummistub, sõltuvalt toiduvalmistamise viisidest ja rasvafiltri puhastamise sagedusest.

Igal juhul tuleb salv vähemalt kord nelja kuu jooksul välja vahetada.

Sõefiltrit EI TOHI pesta ega regenereerida.

Tsirkulaarne sõefilter

Kasutada kummalgi küljel mootori tiiviku kaitsevõrgu kattena, seejärel pöörata päripäeva.

Lahtimonteerimiseks pöörata vastupäeva.

Asenduslambid

Pliidikuhu on varustatud LED-tehnoloogial põhineva valgustusüsteemiga.

LED-lambid tagavad optimaalse valgustuse ja kestavad tavapäraste pirnidega võrreldes kuni 10 korda kauem ning võimaldavad säästa 90% elektrienergiast. Valgustusüsteemi talitlushäire korral võtke ühendust tehnilise teenistusega.

LT GARŲ SURINKTUVAS

Atidžiai laikykitės instrukcijų, pateiktų šiame vadove. Mes neatsakome už jokių nepatogumų, žalą arba gaisrus, atsiradusius dėl to, kad nesilaikoma šiame vadove pateiktų nurodymų. Gaubtas skirtas sugerti virimo dūmus ir garus ir skirtas naudoti tik namie.

Gaubtas gali atrodyti kitaip, nei nurodyta šioje brošiūroje. Tačiau jo naudojimo, priežiūros ir montavimo instrukcijos yra tos pačios.

- ! Svarbu visada išsaugoti šią brošiūrą pasiskaitymui. Parduodant, perkiant ar perleidžiant, atiduokite šią brošiūrą kartu su gaminiu.
- ! Atidžiai perskaitykite instrukcijas: jose yra svarbi informacija apie montavimą, naudojimą ir saugą.
- ! Nebandykite atlikti gaminio elektros arba mechaninių dalių bei išleidimo vamzdžių keitimų.
- ! Prieš pradėdami montuoti prietaisą, patikrinkite, ar nėra pažeistų komponentų. Priešingu atveju kreipkitės į savo platintoją ir netęskite montavimo.

Pastaba: elementai, pažymėti simboliu (*), yra papildomi priedai, įsigijami tik su tam tikrais modeliais ar elementais.



ATSARGIAI

ISPĖJIMAS!

- ! Nejunkite prietaiso prie maitinimo tinklo, kol visiškai nebaigsite montavimo.
- ! Prieš atliekant valymo arba priežiūros darbus, atjunkite gaubtą nuo elektros tinklo, ištraukę kištuką arba atjunkite elektros maitinimo laidą.
- ! Atlikdami visus montavimo ir techninės priežiūros darbus visada mūvėkite darbinės prištinės.
- ! Prietaisas nėra skirtas naudoti vaikams ar neįgaliems žmonėms su fizineis, jautrumo ar psichikos sutrikimais, arba neturintis pakankamai patirties ir žinių, išskyrus atvejus, kai jie dirba prižiūrimi arba nurodymus dėl prietaiso naudojimo iš asmens, atsakingo už jų saugumą.
- ! Šis prietaisas skirtas naudoti suaugusiems, o jį naudojančius vaikus reikia stebėti, siekiant užtikrinti, kad jie nežaistų su prietaisu.
- ! Šis prietaisas skirtas naudoti suaugusiems. Vaikams neturėtų būti leidžiama manipuliuoti valdikliu ar žaisti su prietaisu.
- ! Niekada nenaudokite gaubto be gerai sumontuotų grotelių!
- ! Jei nenurodyta kitaip, niekada nenaudokite gaubto kaip pagalbinio paviršiaus, nebent konkrečiai taip nurodyta.
- ! Patalpos, kuriose sumontuotas prietaisas, turi būti gerai vėdinamos, kai virtuvės gaubtas naudojamas kartu su kitais dujų arba kito kuro deginimo įrenginiais.
- ! Šio prietaiso vamzdžių sistemos negalima jungti prie esamos ventiliacijos sistemos, kuri naudojama kitam tikslui, pavyzdžiui, dujų ar kito kuro deginimo prietaisų išmetamųjų dujų išleidimui.
- ! Griežtai draudžiama deginti maisto produktus po gaubtu.
- ! Atviros liepsnos naudojimas kenkia filtrams ir gali sukelti gaisro pavojų, todėl jį visada reikia vengti.
- ! Kepti reikia atsargiai, kad neperkaistų ir neužsidegtų aliejus.
- ! Naudojant gaubtą, jo pasiekiamos dalys gali įkaisti.
- ! Atsižvelgiant į technines ir saugos priemones, kurių reikia imtis dūmų išleidimui, svarbu atidžiai laikytis vietos valdžios institucijų pateiktų nurodymų.
- ! Gaubtą reikia reguliariai valyti tiek iš vidaus, tiek iš išorės (mažiausiai vieną kartą per mėnesį).
- ! Tai turi būti atliekama pagal šiame vadove pateiktas techninės priežiūros instrukcijas. Jei nesilaikysite šiame vartotojo vadove pateiktų instrukcijų, susijusių su gaubto ir filtrų valymu, padidės gaisro pavojus.
- ! Dėl galimo elektros smūgių pavojaus nenaudokite ir nepalikiškite gaubto be tinkamai sumontuotos lemputės.
- ! Mes neprisiimsime atsakomybės už gedimus, žalą arba gaisrus, kuriuos sukelia prietaisas, jei nesilaikoma šiame vadove pateiktų instrukcijų.
- ! Šis prietaisas pažymėtas pagal Europos direktyvą 2002/96/EB dėl elektros ir elektroninės įrangos atliekų (EEIA). Tinkami utilizuodami šį produktą, padėsite apsaugoti nuo galimų neįgiamų pasekmių aplinkai ir žmogaus sveikatai, kurias gali sukelti netinkamas šio produkto atliekų tvarkymas.



Simbolis ant gaminio arba kartu su juo pridedamuose dokumentuose rodo, kad šis prietaisas negali būti išmetamas kartu su buitiniomis atliekomis. Vietoj to jį reikia priduoti į tinkamą elektros ir elektroninės įrangos surinkimo punktą perdirbti. Atliekos turi būti tvarkomos pagal vietinius aplinkosaugos reikalavimus atliekų šalinimui.

Jei norite gauti išsamesnės informacijos apie šio gaminio gamybą, surinkimą ir perdirbimą, kreipkitės į atitinkamą vietinių valdžios institucijų skyrių arba vietos buitinių atliekų skyrių arba parduotuvę, kurioje pirkote šį gaminį.

Prietaisas suprojektuotas, išbandytas ir pagamintas pagal:

- **Sauga:** EN/IEC 60335-1; EN/IEC 60335-2-31, EN/IEC 62233.
- **Veikimas:** EN/IEC 61591; ISO 5167-1; ISO 5167-3; ISO 5168; EN/IEC 60704-1; EN/IEC 60704-2-13; ISO 3741; EN 50564; IEC 62301.
- **EMS:** EN 55014-1; CISPR 14-1; EN 55014-2; CISPR 14-2; EN/IEC 61000-3-2; EN/IEC 61000-3-3.

Pasiūlymai, kaip teisingai naudoti šį gaminį, siekiant sumažinti poveikį aplinkai: Kai pradėsite gaminti maistą, įjunkite gaubtą mažiausiu greičiu ir palikite keletą minučių po to, kai baigsite gaminti. Padidinkite greitį tik esant dideliam dūmų ir garų kiekiui ir naudokite didesnę greitį tik ekstremaliose situacijose. Jei reikia, pakeiskite anglies filtrą (-us), kad prietaisais ir toliau gerai sugertų kvapus. Jei reikia, išvalykite riebalų filtrą (-us), kad prietaisais ir toliau gerai sugertų kvapus. Norėdami optimizuoti efektyvumą ir sumažinti triukšmą, naudokite didžiausio šiame vadove nurodytą skersmens ortakį sistemą.

Papildomos montavimo specifikacijos:

Naudokite tik tvirtinimo varžtus, pridedamus kartu su gaminiu, arba, jei nenurodyta, įsigykite tinkamo tipo varžtus.

Naudokite tinkamo tipo ir ilgio varžtus, kurie yra nurodyti montavimo vadove.

Jei kiltų abejonių, kreipkitės į įgaliotą techninės priežiūros centrą ar panašios kvalifikacijos asmenį.

ĮSPĖJIMAS! Naudojant varžtus ar tvirtinimo detales ne pagal šias instrukcijas, gali kilti pavojus.

NAUDOJIMAS

Gaubtas skirtas naudoti išpūsti arba filtruoti orui.



Versija su vamzdynu

Tokiu atveju dūmai išpučiami už pastato ribų specialiu vamzdžiu, prijungtu prie jungimo žiedo, esančio virš gaubto.

Dėmesio! Išmetimo vamzdis prie gaminio nepridedamas ir turi būti perkamas atskirai.

Išmetimo vamzdžio skersmuo turi būti lygus jungiamojo žiedo skersmeniui.

Horizontaliuose vamzdynuose išmetimo vamzdis turi būti šiek tiek nukreiptas į viršų (maždaug 10°), kad oras lengvai išeitų iš kambario į išorę.

Dėmesio! Išmetimo vamzdis prie gaminio nepridedamas ir turi būti perkamas atskirai.

Išmetimo vamzdžio skersmuo turi būti lygus jungiamojo žiedo skersmeniui.

Horizontaliuose vamzdynuose išmetimo vamzdis turi būti šiek tiek nukreiptas į viršų (maždaug 10°), kad oras lengvai išeitų iš kambario į išorę.

Dėmesio! Jei gaubtas tiekiamas su aktyviu anglies filtru, tada jį reikia išimti.

Sujungkite gaubtą su išleidimo anga sienoje, kurios skersmuo yra lygus gaubto oro išleidimo angai (jungiamasis flanšas).

Naudojant mažesnių matmenų vamzdžius ir išleidžiamas skylės sienose sumažėja siurbimo našumas ir žymiai padidėja triukšmas.

Todėl gamintojas neatsako už prastesnę prietaiso veikimą tokiu atveju.

! Naudokite minimalaus būtiną ilgio kanalą.

! Naudokite vamzdį su kuo mažesniu skaičiumi alkūnių (didžiausias alkūnės kampas: 90°).

! Venkite didelių kanalo skerspjuvio pokyčių.

! Naudokite vamzdį kuo lygesniu vidumi.

! Vamzdis turi būti pagamintas iš sertifikuotos medžiagos.

Filtro versija

Jai reikia vieno aktyviosios anglies filtro, kurį galima gauti iš įprasto mažmenininko.

Filtrus pašalina riebalus ir kvapus iš siurbiamo oro, prieš išleidžiamas jį atgal į kambarį per viršutinę išleidimo angą grotelės.

IRENGIMAS

Minimalus atstumas tarp viryklės atraminio paviršiaus ir apatinės gaubto dalies turi būti ne mažesnis kaip 55cm nuo elektrinių viryklių ir 65 cm nuo dujinių arba mišrių viryklių.

Jei dujinės viryklės montavimo instrukcijose nurodomas didesnis atstumas, jo reikia laikytis.



Elektros jungtys

Maitinimo tinklo įtampa turi atitikti techninių duomenų plokštėje nurodytą reitingą. Jei įrengtas kištukas, prijunkite gaubtą prie lizdo pagal taikomus reikalavimus ir įtvirtinkite esamoje vietoje. Jei kištuko (tiesioginio maitinimo tinklo jungties) nėra arba jei kištukas toli, po montavimo naudokite dvigubų polių jungiklį pagal standartus, kurie užtikrina visišką atjungimą nuo maitinimo tinklo, III viršsrovio kategoriją pagal montavimo instrukcijas.

Įspėjimas!

Prieš vėl prijungdami gaubto elektros grandinę prie maitinimo tinklo ir tikrindami, ar veikia, visada patikrinkite, ar tinkamai sumontuotas maitinimo laidas.

Montavimas

Labai sunkus gaminys; Gaubtą kelti ir montuoti turi ne mažiau kaip du asmenys. Prieš pradėdant montuoti:

- Patikrinkite, ar įsigytas gaminys yra tinkamo dydžio ir telpa į pasirinktą montavimo vietą.
- Nuimkite anglies (*) filtrą/s, jei yra (taip pat žr. susijusį skyrių). Jį galima montuoti tik tuo atveju, jei su gaubtu norite naudoti filtrą.
- Patikrinkite (transportavimo atveju), ar gaubte nėra pašalinių pakuotės medžiagų (pvz., paketų su varžtais (*), garantijos lapelio (*) ir t.t.). Jei yra – išimkite ir padėkite atskirai.
- Jei galima, atjunkite ir nustumkite laisvą arba slankiojančią sritį nuo spintelės angos, kad lengviau pasiektumėte galinę sieną/lubas.
- Priešingu atveju uždėkite storą apsauginę dangą ant stalviršio arba viryklės, kad apsaugotumėte nuo pažeidimų ir šukščių. Pasirinkite plokščią paviršių montavimui. Uždenkite šį paviršių apsaugine danga ir sudėkite ant jos visas gaubto dalis ir techninę įrangą.
- Be to, patikrinkite, ar šalia gaubto įrengimo zonos (vieta, kuri yra prieinama ir sumontavus gaubtą) yra elektros lizdas, ir ar dūmų išleidimo įtaisą galima prijungti prie išorės (tik siurbimo versijai).
- Atlikite visus reikalingus mūro darbus (pvz., sumontuokite elektros lizdą ir (arba) skylę išleidimo vamzdžiui).

Sieniniai plėtimosi kaiščiai yra skirti montuoti gaubtą ant daugumos rūšių sienų/lubų. Tačiau kvalifikuotas specialistas privalo patikrinti medžiagų tinkamumą pagal sienų/lubų tipą. Sienos/lubos turi būti pakankamai tvirtos, kad atlaikytų gaubto svorį. **Nemontuokite šio prietaiso ant plytelių, skiedinių ar silikono sienos. Montavimas tik ant paviršiaus.**

VEIKIMAS

Koncentruotų virtuvės garų atveju naudokite didelį siurbimo greitį. Rekomenduojama, kad virimo gaubto siurblys būtų įjungiamas 5 minutes prieš ruošiant maistą ir paliekamas veikti virimo metu ir dar maždaug 15 minučių maždaug po maisto gaminimo pabaigos.

Mechaniniai valdikliai



- Norėdami įjungti lemputę, paspauskite įjungimo mygtuką. Paspauskite dar kartą, kad išjungtumėte lemputę. Paspauskite greičio jungiklį 1 ir paleiskite variklį 1 greičiu.
- Paspauskite greičio jungiklį 2 ir paleiskite variklį 2 greičiu.
- Paspauskite greičio jungiklį 3 ir paleiskite variklį 3 greičiu.
- Dar kartą paspauskite išjungimo mygtuką, kad išjungtumėte variklį.

Liečiamasis valdymas



Kai gartraukis bus prijungtas prie maitinimo šaltinio, jis bus budėjimo režime ir tik įjungimo / išjungimo mygtukas ir apšvietimo mygtukas bus pusiau apšviesti. 1-3 greičio mygtukai nėra apšviesti ir jų negalima pasirinkti.

- Paspauskite įjungimo / išjungimo mygtuką, kad pradėtumėte pasirinkti variklio greitį. Pasirinkus įjungimo / išjungimo mygtuką, greitis 1-3 bus pusiau apšviestas.
- Paspauskite greičio jungiklį 1 ir paleiskite variklį 1 greičiu.
- Paspauskite greičio jungiklį 2 ir paleiskite variklį 2 greičiu.
- Paspauskite greičio jungiklį 3 ir paleiskite variklį 3 greičiu.
- Norėdami įjungti lemputę, paspauskite įjungimo mygtuką. Paspauskite dar kartą, kad išjungtumėte lemputę.

PRIEŽIŪRA

DĖMESIO! Prieš atliekant techninę priežiūrą, ištraukite gaubtą iš elektros maitinimo, išjunkite jungtį ir nuimkite jungties saugiklį. Arba jei prietaisas buvo prijungtas per kištuką ir lizdą, tada kištuką reikia ištraukti iš lizdo.

Valymas

Gartraukį reikia reguliariai valyti (bet jau tokiu pačiu dažniu, kuriuo atliekate riebalų filtrų techninę priežiūrą) iš vidaus ir išorės. Valykite drėgnu skudurėliu, sudrėkintu neutraliu plovimo skysčiu. Nenaudokite abrazyvinių produktų. **NENAUDOKITE ALKOHOLIO!**

ISPĖJIMAS: Nesilaikant pagrindinių gaubto valymo ir filtrų keitimo rekomendacijų, galima sukelti gaisro pavojų. Todėl rekomenduojame laikytis šių instrukcijų.

Gamintojas neatsako už jokią variklio žalą ar bet gaisras, susijusį su netinkama technine priežiūra arba minėtų saugumo rekomendacijų nesilaikymu.

Riebalų filtras

Sulaiko kepimo riebalų daleles.

Riebalų filtrą reikia valyti kartą per mėnesį naudojant neagresyvius ploviklius rankomis arba indaplovėje, kuri turi būti nustatyta žemoje temperatūroje ir trumpam ciklui. Panaudojus indų plovyklę, riebalų filtras gali šiek tiek pakeisti spalvą, tačiau tai neturi įtakos jo filtravimo galiai. Norėdami išimti riebalų filtrą, patraukite spyruoklinę atleidimo rankenėlę.

Anglies filtras (tik filtravimo versija)

Jis sugeria nemalonius kvapus, kuriuos sukelia maisto ruošimas.

Po tam tikro laiko naudojimo medžio anglies filtras prisisotina, priklausomai nuo gaminamo maisto tipo ir riebalų filtro valymo dažnio.

Bet kuriuo atveju reikia keisti kasetę ne rečiau kaip kas keturis mėnesius.

Medžio anglies filtro **NEGALIMA** plauti ar regeneruoti.

Žiedinis anglies filtras

Uždėkite po vieną iš abiejų pusių kaip dangtelį ant abiejų variklio sparnuotės grotelių, tada pasukite pagal laikrodžio rodyklę.

Norėdami išmontuoti, sukite prieš laikrodžio rodyklę.

Lempučių keitimas

Gaubte yra įrengta apšvietimo sistema, pagrįsta LED technologija.

Šviesos diodai užtikrina optimalų apšvietimą, trunkantį iki 10 kartų ilgiau nei tradicinės lemputės, ir leidžia sutaupyti iki 90 % elektros energijos.

Sugedus apšvietimo sistemai, kreipkitės į techninio aptarnavimo tarnybą.

LV GAISA NOSŪCĒJS

Stingri ievērojiet šajā rokasgrāmatā sniegtos norādījumus. Ražotājs neuzņemas atbildību par iespējamām neērtībām, kaitējumu vai ugunsgrēku, ko izraisījis šīs rokasgrāmatas norādījumu neievērošana. Tvaika nosūcējs ir izstrādāts ēdiena gatavošanas rezultātā radušos tvaiku un garaiņu nosūkšanai un ir paredzēts tikai lietošanai mājāsaimniecībās.

Jūsu iegādātais tvaika nosūcējs nav atšķirties no šajā bukletā attēlotā tvaika nosūcēja. Tomēr lietošanas, uzturēšanas un uzstādīšanas norādījumi ir tādi paši.

- ! Noteikti saglabāiet šo brošūru, lai jebkurā brīdī varētu to izmantot. Pārliecinieties, ka tā tiek nodota kopā ar iekārtu, ja tvaika nosūcēju pārdojat, atdojat vai pārvietojat.
- ! Rūpīgi izlasiet norādījumus – tajos ir būtiska informācija par iekārtas uzstādīšanu, lietošanu un drošību.
- ! Neveiciet iekārtā vai izvades kanālos elektriskas vai mehāniskas izmaiņas.
- ! Pirms iekārtas uzstādīšanas pārbaudiet, vai nav bojātas iekārtas daļas. Ja konstatējat bojājumu, sazinieties ar tirgotāju un neturpiniet uzstādīšanu.

Ievērojiet! Daļas, kas apzīmētas ar simbolu “(*)”, ir izvēles piederumi, kas iekļauti tikai dažu modeļu vai daļu komplektācijā, un nav iekļauti visās iekārtās.



UZMANĪBU BRĪDINĀJUMS!

- ! Nepievienojiet iekārtu elektrotīklam, pirms iekārta ir pilnībā uzstādīta.
- ! Pirms tīrīšanas vai apkopes veikšanas atvienojiet tvaika nosūcēju no elektrotīkla, izvelkot kontaktdakšu vai atvienojot elektrotīkla strāvas padevi.
- ! Uzstādīšanas un apkopes darbu laikā vienmēr valkājiet cimdus.
- ! Iekārta nav paredzēta bērniem vai personām ar ierobežotām fiziskām, sensorām vai garīgām spējām, bez pieredzes un zināšanām, izņemot gadījumus, kad tās saistībā ar ērīces lietošanu uzrauga vai apmāca persona, kas atbild par viņu drošību.
- ! Šī iekārta ir paredzēta lietošanai pieaugušajiem; jāraugās, lai bērni nerotaļātos ar iekārtu.
- ! Šī iekārta ir paredzēta lietošanai pieaugušajiem. Jānodrošina, lai bērni neaizskartu iekārtas vadības pogas un nerotaļātos ar iekārtu.
- ! Nekādā gadījumā nelietojiet tvaika nosūcēju, ja tam nav pienācīgi uzstādīts režģis!
- ! Tvaika nosūcēju NEKĀDĀ GADĪJUMĀ nedrīkst izmantot kā atbalsta virsmu, ja vien tas nav īpaši norādīts.
- ! Ja virtuves tvaiku nosūcēju izmanto kopā ar citām gāzes vai citu degvielas sadedzināšanas iekārtām, telpām, kurās uzstāda iekārtu, jābūt pietiekami ventilētām.
- ! Šai iekārtai izmantotā caurvlādu sistēma nedrīkst būt savienota ar jau esošu ventilācijas sistēmu, ko izmanto citiem nolūkiem, piemēram, izplūdes gāzu izvadišanai no iekārtām, kurās dedzina gāzi vai cita veida degvielu.
- ! Stingri aizliegts zem tvaika nosūcēja dedzināt ēdienu ar liesmu.
- ! Atklātas liesmas izmantošana ir kaitīga filtriem un var radīt aizdegšanās risku, tādēļ no tās jebkādos apstākļos ir jāizvairās.
- ! Cepot ēdienu, jāuzmanās, lai eļļa nepārkarstu un neaizdegtos.
- ! Izmantojot tvaika nosūcēju kopā ar ēdiena gatavošanas iekārtu, tvaika nosūcēja ārējās daļas var sakarst.
- ! Nodrošinot tvaiku izplūdes tehniskos un drošības pasākumus, stingri jāievēro vietējo iestāžu noteiktie normatīvie akti.
- ! Tvaika nosūcējs regulāri jātīra gan no iekšpusēs, gan ārpusēs (NE RETĀK KĀ REIZI MĒNESI).
- ! Tas jāveic saskaņā ar šajā rokasgrāmatā sniegtajiem norādījumiem). Šajā lietošanas pamācībā sniegto norādījumu par tvaika nosūcēja un filtru tīrīšanu neievērošana radīs aizdegšanās risku
- ! Lai novērstu iespējama elektrošoka risku, nelietojiet tvaika nosūcēju un neatstājiet to, ja tajā nav pareizi nostiprināta lampa.
- ! Mēs neuzņemsimies atbildību par iekārtas izraisītiem defektiem, bojājumiem vai ugunsgrēkiem, ja tie radušies šajā rokasgrāmatā iekļauto norādījumu neievērošanas dēļ.
- ! Šī ierīce ir marķēta atbilstoši Eiropas Direktīvai 2002/96/ES par elektrisko un elektronisko iekārtu atkritumiem (EEIA). Pareizi atbrīvojoties no šīs iekārtas, jūs palīdzat novērst iespējamu negatīvu ietekmi uz apkārtējo vidi un cilvēku veselību, kas varētu rasties, nepareizi atbrīvojoties no ierīces.



Simbols uz iekārtas vai iekārtas pavaddokumentiem norāda, ka šo iekārtu nedrīkst izmest sadzīves atkritumos. Iekārta ir jānodod speciālā elektrisko un elektronisko ierīču atkritumu savākšanas punktā otrreizējai pārstrādei. Atbrīvošanās no iekārtas jāveic saskaņā ar vietējiem vides aizsardzības noteikumiem atkritumu apsaimniekošanai.

Lai saņemtu sīkāku informāciju par šīs iekārtas sagatavošanu un nodošanu pārstrādei un pārstrādi, sazinieties ar vietējām iestādēm vai vietējo mājāsaimniecības atkritumu apsaimniekošanas nodaļu, vai veikalu, kurā iegādājieties šo iekārtu.

Iekārta ir konstruēta, izmēģināta un ražota saskaņā ar tālāk minētajiem normatīvajiem standartiem.

- **Drošība:** EN/IEC 60335-1; EN/IEC 60335-2-31, EN/IEC 62233.
- **Veiktspēja:** EN/IEC 61591; ISO 5167-1; ISO 5167-3; ISO 5168; EN/IEC 60704-1; EN/IEC 60704-2-13; ISO 3741; EN 50564; IEC 62301.
- **EMC:** EN 55014-1; CISPR 14-1; EN 55014-2; CISPR 14-2; EN/IEC 61000-3-2; EN/IEC 61000-3-3.

Ieteikumi pareizai lietošanai, lai samazinātu ietekmi uz apkārtējo vidi: sākot ēdiena gatavošanu, IESLĒDZIET tvaika nosūcēju uz minimālo ātrumu un izslēdziet to piecas minūtes pēc ēdiena gatavošanas beigām. Palieliniet ātrumu tikai tad, ja radies liels dūmu un garaiņu daudzums, un lietojiet palielināto jaudu tikai ārkārtējās situācijās. Lai saglabātu augstu smaku samazināšanas efektivitāti, vajadzības gadījumā nomainiet ogles filtru(-us). Lai saglabātu augstu tauku filtra efektivitāti, vajadzības gadījumā iztīriet tauku filtru(-us). Lai maksimāli palielinātu efektivitāti un samazinātu troksni, izmantojiet cauruļu sistēmu ar lielāko šajā rokasgrāmatā norādīto diametru.

Papildu uzstādīšana Specifikācijas:

Izmantojiet tikai iekārtas komplektācijā uzstādīšanai paredzētās stiprinājuma skrūves; ja tās nav iekļautas komplektācijā, iegādājieties pareizo skrūvju veidu. Izmantojiet uzstādīšanas norādījumos norādīto skrūvju garumu. Ja rodas šaubas, konsultējieties ar pilnvarotu apkopes centru vai līdzīgi kvalificētu personu.

Brīdinājums! Ja skrūves vai stiprinājuma ierīce netiek uzstādīta saskaņā ar šiem norādījumiem, iespējams elektrības izraisīts apdraudējums

LIETOŠANA

Tvaika nosūcējs ir paredzēts lietošanai izvades vai filtrēšanas variantā.



Modelis ar ventilācijas cauruli

Šajā variantā izgarojumi tiek izvadīti ārpus ēkas, izmantojot tīpašu cauruli, kas pievienota ar tvaika nosūcēja augšpusē uzstādītu savienojuma gredzenu.

Uzmanību! Izvades caurule nav iekļauta komplektācijā un jāiegādājas atsevišķi.

Izvades caurules diametram jābūt vienādam ar savienojuma gredzenu diametru.

Horizontālajos posmos izvades caurule var būt nedaudz saliekta (apmēram 10 %) uz augšu, lai atvieglotu gaisa izvadišanu no telpas.

Uzmanību!

Ja tvaika nosūcējs ir aprīkots ar aktīvās ogles filtru, tas ir jāizņem.

Savienojot tvaika nosūcēju ar izplūdes atverēm sienās, diametram jābūt vienādam ar gaisa izvades diametru (savienojuma uzdeva).

Izmantojot caurules un izplūdes atveres sienās ar mazāku diametru, samazināsies sūkšanas veiktspēja un ievērojami palielināsies radītais troksnis.

Šādā gadījumā ražotājs neuzņemas atbildību.

! Lietojiet cauruli ar minimālo nepieciešamo garumu.

! Lietojiet cauruli ar pēc iespējas mazāk izliekumiem (maksimālais izliekuma lenķis: 90°).

! Sekojiet, lai nebūtu krasu izmaiņu caurules šķērsgriezumā.

! Lietojiet cauruli ar pēc iespējas gludāku iekšpusi.

! Caurulei jābūt izgatavotai no sertificēta materiāla.

Modelis ar filtrēšanas sistēmu

Šajā variantā ir nepieciešams aktīvās ogles filtrs, ko var iegādāties pie mazumtirgotāja.

Filtrs atfira iesūkto gaisu no taurkvielām un smakām un pēc tam caur augšējo izplūdes režģi novirza attīrīto gaisu atpakaļ telpā.

UZSTĀDĪŠANA

Minimālais attālums starp plīts virsmu un tvaika nosūcēja apakšējo daļu nedrīkst būt mazāks par 55 cm no elektriskajām plītm un 65 cm no gāzes vai jauktām plītm.

Ja gāzes plīts uzstādīšanas pamācībā norādīts lielāks attālums, jāievēro šis lielākais attālums.



Elektriskais savienojums

Elektrotīkla strāvai jāatbilst uz tvaika nosūcēja iekšpusē piestiprinātās datu plāksnītes norādītajai jaudai. Ja komplektā iekļauta kontaktakša, pēc tvaika nosūcēja uzstādīšanas savienojiet to ar pieejamā vietā un atbilstoši spēkā esošajiem noteikumiem uzstādītu kontaktligzdu. Ja komplektā nav iekļauta kontaktakša (tiešs savienojums ar elektrotīklu) vai kontaktakša atrodas nepieejamā vietā, pēc uzstādīšanas ierīkojiet saskaņā ar uzstādīšanas norādījumiem un prasībām uzstādītu divpola slēdzi, kas nodrošina pilnīgu atvienošanu no elektrotīkla saskaņā ar nosacījumiem, kas attiecas uz strāvas pārslodzes III kategoriju.

Brīdinājums!

Pirms tvaika nosūcēja vēlreizējas pievienošanas strāvas tīklam un efektīvas darbības pārbaudes vienmēr pārliecinieties, ka strāvas tīkla kabelis ir pareizi uzstādīts.

Uzstādīšana

Iekārta ir ļoti smaga; tvaika nosūcēja pārvietošana un uzstādīšana jāveic vismaz diviem cilvēkiem.

Pirms uzstādīšanas:

- Pārbaudiet, vai iegādātās iekārtas lielums ir atbilstošs izvēlētajam uzstādīšanas laukumam.
- Izņemiet ogles (*) filtru(-us), ja tie iekļauti komplektācijā (skat. arī attiecīgo punktu). Tas/tie jāuzstāda tikai tādā gadījumā, ja vēlaties lietot tvaiku uzsūcēja filtra variantu.
- Pārbaudiet (transportēšanas nolūkā), vai tvaika nosūcēja iekšpusē nav citu komplektācijā iekļauto materiālu (piemēram, iepakojumi ar skrūvēm (*), garantijas (*), u.c.), ja tādi ir, izņemiet un saglabājiet tos.
- Lai nodrošinātu ērtāku pieeju aizmugures sienai un griestiem, atvienojiet un pārvietojiet no vietas, kurā tiks uzstādīts tvaiku nosūcējs, atsevišķi stāvošos vai iebūvētos skapīšus vai citus objektus, ja tas iespējams. Ja tas nav iespējams, pārklājiet virtuves darba virsmu, gatavošanas virsmu vai plīti ar biezu aizsargmateriālu, lai pasargātu tos no bojājumiem un atliekām.
- Iekārtas montāžai izvēlieties plakanu virsmu. Pārklājiet šo virsmu ar aizsargmateriālu un novietojiet visas tvaika nosūcēja pārsega un iekārtas detaļas.
- Turklāt pārbaudiet, vai tvaika nosūcēja uzstādīšanas tuvumā (zonā, kas ir pieejama arī ar uzstādītu tvaika nosūcēju) ir pieejama elektriskā kontaktligzda un ir iespējams savienot tvaiku izvades ierīci ar ārpusi (tikai iesūkšanas variantam).
- Veiciet visus nepieciešamos iebūvēšanas darbus (piemēram, uzstādiel elektrisko kontaktligzdu un/vai izveidojiet atveri, pa kuru tiks izlaista izplūdes caurule).

Tvaika nosūcēja nostiprināšanai parasti sienām/griestiem nepieciešami dībeļi, kas iekļauti komplektācijā. Tomēr materiālu piemērotību attiecīgajam sienas/griestu veidam jāpārbauda kvalificētam tehnikam. Sienai/griestiem jābūt pietiekami stipriem, lai noturētu tvaika nosūcēja svaru. **Nemēģiniet tvaika nosūcēju piestiprināt tieši pie flīzēm, izmantot cementa javu vai silikona līmi. Driest izmantot tikai uzstādīšanu pie virsmas.**

IEKSPLUATĀCIJA

Augstas tvaiku koncentrācijas gadījumā izmantojiet augstu iesūkšanas ātrumu. Ieteicams 5 minūtes pirms gatavošanas ieslēgt plīts tvaika nosūcēju un atstāt to darbojoties gatavošanas laikā un aptuveni 15 minūtes pēc gatavošanas beigām.

Mehāniskā vadība



- ⏻: Lai IESLĒGTU apgaismojumu, piespiediet pogu "Apgaismojums". Lai IZSLĒGTU apgaismojumu, piespiediet pogu vēlreiz.
- ⊕: Lai ieslēgtu motoru ar 1. ātrumu, piespiediet pogu "1. ātrums".
- ⊕//: Lai ieslēgtu motoru ar 2. ātrumu, piespiediet pogu "2. ātrums".
- ⊕///: Lai ieslēgtu motoru ar 3. ātrumu, piespiediet pogu "3. ātrums".
- : Lai izslēgtu motoru, piespiediet izslēgšanas pogu.

Skārienjutīgā vadība



Kad tvaika nosūcējs ir pievienots barošanai, tvaika nosūcējs būs gaidstāves režīmā, un būs izgaismotas tikai ieslēgšanas/izslēgšanas poga un apgaismojuma poga. 1.-3 ātruma pogas nav izgaismotas un tās nav iespējams izvēlēties.

⏻ Lai sāktu atlasīt motora ātrumus, piespiediet ieslēgšanas/izslēgšanas pogu. Ja ir izvēlēta ieslēgšanas/izslēgšanas poga, 1.-3. ātrums ir daļēji izgaismots.

⊕ Lai ieslēgtu motoru ar 1. ātrumu, piespiediet pogu "1. ātrums".

⊕// Lai ieslēgtu motoru ar 2. ātrumu, piespiediet pogu "2. ātrums".

⊕/// Lai ieslēgtu motoru ar 3. ātrumu, piespiediet pogu "3. ātrums".

⏻: Lai IESLĒGTU apgaismojumu, piespiediet pogu "Apgaismojums". Lai IZSLĒGTU apgaismojumu, piespiediet pogu vēlreiz.

TEHNISKĀ APKOPE

UZMANĪBU! Pirms apkopes veikšanas izolējiet tvaiku nosūcēju no barošanas, izslēdzot strāvu pie savienotāja un izņemot savienotāja drošinātāju.

Vai, ja iekārta ir savienota, izmantojot kontaktdakšu un kontaktlīdzi, atvienojiet kontaktdakšu no kontaktlīdzdas.

Tīrīšana

Regulāri (vismaz tikpat bieži, kā veicat tauku filtru apkopi) jātīra tvaika nosūcēja iekšpuse un ārpusē.

Tīriet to, izmantojot ar dabīgu, šķidru tīrīšanas līdzekli samitrinātu drānu. Neizmantojiet abrazīvus produktus. **NEIZMANTOJIET SPIRTU!**
BRĪDINĀJUMS:

Pamata ieteikumu tvaiku nosūcēja tīrīšanai un filtru nomaīnai neievērošana var izraisīt ugunsgrēka risku.

Tādēļ šo norādījumu ievērošanai mēs iesakām ievērot

Ražotājs atsakās no jebkādas atbildības par motoram nodarītiem bojājumiem vai ugunsgrēka radītu kaitējumu, kas saistīts ar neatbilstošu apkopi vai iepriekš minēto drošības ieteikumu neievērošanu.

iepriekš minētos drošības ieteikumus.

Tauku filtrs

Uztver ēdiena gatavošanas rezultātā radušās tauku daļiņas.

Tauku filtrs jātīra reizi mēnesī, izmantojot saudzīgus tīrīšanas līdzekļus, vai nu ar rokām, vai trauku mazgājamajā mašīnā, kurai jāuzstāda zema temperatūra un īss mazgāšanas cikls.

Mazgājot trauku mazgājamajā mašīnā, tauku filtrs var nedaudz mainīt krāsu, bet tas neietekmē filtra filtrēšanas spēju.

Lai izņemtu tauku filtru, pavelciet atsperes atbrīvošanas rokturi.

Ogļu filtrs (tikai filtra versija)

Uzsūc gatavošanas laikā radušās nepatīkamos aromātus.

Ogļu filtrs piesātinās pēc vairāk vai mazāk ilgstošas lietošanas atkarībā no gatavošanas veida un tauku filtra tīrīšanas biežuma.

Kasete jānomaina ne retāk kā reizi četros mēnešos.

Ogļu filtru NEDRĪKST mazgāt vai atjaunot.

Apjveida oglekļa filtrs

Uzlieciet pa vienam uz abām motora darba rata aizsargsietiņa pusēm kā vāku, pēc tam pagrieziet pulksteņa rādītāja kustības virzienā.

Lai izjauktu, pagrieziet pretēji pulksteņa rādītāju kustības virzienam.

Lampīņu nomaīna

Tvaika nosūcējs ir aprīkots ar apgaismojuma sistēmu, kuras pamatā LED tehnoloģijas.

LED garantē optimālu apgaismojumu, 10 reižu garāku lietošanas ilgumu nekā tradicionālajām spuldzēm un ļauj ietaupīt 90 % elektroenerģijas.

Apgaismes sistēmas traucējumu gadījumā sazinieties ar tehnisko dienestu.

SQ – ASPIRATOR KUZHINE

Ndiqui me kujdes udhëzimet e dhëna në këtë manual . Të gjitha përgjegjësitë, për çdo problem të mundshëm, dëmtim ose zjarr të shkaktuar nga mosrespektimi i udhëzimeve të këtij manuali, refuzohen. Aspiratori është konceptuar për thithjen e tymrave dhe avujve dhe është i destinuar vetëm për përdorim shtëpiak.

Aspiratori mund të duket ndryshe nga ai që është ilustruar në vizatimet e kësaj broshure. Megjithatë, udhëzimet e përdorimit, mirëmbajtjes dhe instalimit, mbeten të njëjta.

- ! Është e rëndësishme të ruani këtë broshurë për konsultime në çdo moment. Në rastin e shtijes, hedhjes ose lëvizjes, sigurohuni që ajo të jetë bashkë me produktin.
- ! Lexojini me kujdes udhëzimet: në to ka informacione thelbësore për instalimin, përdorimin dhe sigurinë.
- ! Mos bëni ndryshime elektrike ose mekanike në produkt ose në kanalet e shkarkimit.
- ! Përpara se të vazhdoni me instalimin e pajisjes, verifikoni që nuk ka asnjë komponent të dëmtuar. Në të kundërt kontaktoni me shitësin tuaj dhe mos vazhdoni me instalimin.

Shënim: Elementët e shënuar me simbolin "(*)" janë aksesorë opsionalë të cilët furnizohen vetëm me disa modele ose elemente për t'u blerë, jo për t'u dhënë.



KUJDES

KUJDES! Mos e lidhni pajisjen me rrjetin derisa instalimi të ketë përfunduar plotësisht.

Përpara çdo operacioni të pastrimit ose mirëmbajtjes, shkëputeni aspiratorin nga rrjeti duke hequr spinën ose shkëputeni furnizimit me energji elektrike.

Gjithmonë vendosni doreza pune, për të gjitha operacionet e instalimit dhe mirëmbajtjes.

Pajisja nuk është e synuar për t'u përdorur nga fëmijët ose personat me aftësi të kufizuara fizike, ndijore ose mendore apo nëse nuk kanë përvojë ose njohuri, përveç nëse janë nën mbikëqyrje ose janë trajnuar për përdorimin e pajisjes nga një person përgjegjës për sigurinë e tyre.

Kjo pajisje është projektuar për t'u përdorur nga të rriturit, fëmijët duhet të monitorohen për të siguruar që ata nuk luajnë me pajisjen.

Kjo pajisje është projektuar për t'u operuar nga të rriturit. Fëmijët nuk duhet të lejohen të ngacmojnë kontrollet ose të luajë me pajisjen.

Asnjëherë mos e përdorni aspiratorin pa montuar në mënyrë efektive rrjetin!

Aspiratori nuk duhet të përdoret KURRË si sipërfaqe mbështetëse, në rast se kjo gjë nuk tregohet në mënyrë specifike.

Ambienti ku është instaluar pajisja elektroshtëpiake duhet të jetë i ajrosur mjaftueshëm, kur aspiratori i kuzhinës përdoret së bashku me pajisje të tjera që djegin gaz ose lëndë të tjera djegëse.

Sistemi i kanalizimit për këtë pajisje nuk duhet të lidhet me asnjë sistem ekzistues të ajrosjes, i cili përdoret për ndonjë qëllim tjetër, si për shkarkimin e tymrave të çliruar nga aparatet që djegin gaz apo lëndë të tjera djegëse.

Ndezja e ushqimeve poshtë aspiratorit është e ndaluar rreptësisht.

Përdorimi i flakëve të ekspozuara është i dëmshëm ndaj filtrave, mund të shkaktojë rrezik zjarri dhe për këtë arsye duhet të shmanget në të gjitha rrethanat.

Çdo tiganisje duhet të bëhet me kujdes, në mënyrë që të siguroheni se vaji nuk do të mbinxehet dhe ndizet. Pjesët e prekshme të aspiratorit mund të nxehen kur përdoret me pajisjen e gatimit.

Për sa i përket masave teknike dhe të sigurisë që duhen miratuar për shkarkimin e tymrave, është e rëndësishme që të zbatohen me përpikmëri rregulloret e bëra nga autoritetet lokale.

Aspiratori duhet të pastrohet rregullisht edhe nga brenda, edhe jashtë (TË PAKTËN NJË HERË NË MUAJ).


Kjo duhet të realizohet në përputhje me udhëzimet e mirëmbajtjes të dhëna në këtë manual. Moszbatimi i udhëzimeve të dhëna në këtë udhëzues përdorimi, në lidhje me pastrimin e aspiratorit dhe filtrave do të çojë në rrezikun e zjarreve.

Mos e përdorni ose mos e lini aspiratorin me llampën të montuar jo në mënyrën e duhur për shkak të rrezikut të mundshëm të goditjeve elektrike.

Ne nuk do të pranojmë asnjë përgjegjësi, për asnjë defekt, dëmtim ose zjarr të shkaktuar në pajisje, si rezultat i mosrespektimit të udhëzimeve të përfshira në këtë manual.

Kjo pajisje është shënuar në përputhje me direktivën Europiane 2002/96/EC për Mbeturinat e Pajisjeve Elektrike dhe Elektronike (WEEE). Duke siguruar që ky produkt të hidhet në mënyrë korrekte, ju do të ndihmoni në parandalimin e pasojave të mundshme negative për mjedisin dhe shëndetin e njeriut, të cilat mund të shkaktohen në të kundërt, nga trajtimi i papërshtatshëm i mbeturinave të këtij produkti.



Simboli  në produkt ose në dokumentet që shoqërojnë produktin, tregon se kjo pajisje nuk mund të trajtohet si mbeturinë shtëpiake. Përkundrazi, ajo duhet të çohet në pikën e duhur të grumbullimit për riciklimin e pajisjeve elektrike dhe elektronike. Asgjësimi duhet të kryhet në përputhje me rregulloret lokale të mjedisit, për asgjësimin e mbeturinave. Për informacione të mëtejshme të detajuara në lidhje me procesin, grumbullimin dhe riciklimin e këtij produkti, ju lutemi të kontaktoni me departamentin e duhur të autoriteteve tuaja lokale, me departamentin lokal për mbeturinat shtëpiake ose me dyqanin ku e keni blerë këtë produkt.

Pajisja është projektuar, testuar dhe prodhuar në përputhje me:

- Sigurinë: EN/IEC 60335-1; EN/IEC 60335-2-31, EN/IEC 62233.
- Performancën: EN/IEC 61591; ISO 5167-1; ISO 5167-3; ISO 5168; EN/IEC 60704-1; EN/IEC 60704-2-13; ISO 3741; EN 50564; IEC 62301.
- EMC: EN 55014-1; CISPR 14-1; EN 55014-2; CISPR 14-2; EN/IEC 61000-3-2; EN/IEC 61000-3-3.

Sugjerime për një përdorim korrekt në mënyrë që të zvogëlohet ndikimi në mjedis: Kur filloni të gatuarin, ndizeni aspiratorin (ON) me shpejtësi minimale dhe lereni të punojë për disa minuta pas përfundimit të gatimit. Rriteni shpejtësinë vetëm në rast të sasisë së madhe të tymit dhe avullit dhe shkulmin e shpejtësisë(ve) përdoreni vetëm në situata ekstreme. Zëvendësojeni filtrin(at) e qymyrit kur është e nevojshme për të ruajtur efikasitetin e reduktimit të erërave. Pastrojeni filtrin(at) e yndyrës kur është e nevojshme, për të pasur efikasitet të mirë të filtrit të yndyrës. Përdoreni diametrin maksimal të sistemit të tubacionit të treguar në këtë manual, për të optimizuar efikasitetin dhe për të minimizuar zhurmën.

Specifikime Shtesë të Instalimit:

Për instalim, përdorni vetëm vidhat e fiksimit të furnizuara me produktin ose, në rast se nuk furnizohen, blini llojin e duhur të vidhave. Përdorni vidha me gjatësinë e duhur, të cilat janë identifikuar në Udhëzuesin e Instalimit.

Në rast dyshimi, konsultohuni me një qendër të autorizuar për ndihmë shërbimi ose me një person të kualifikuar në mënyrë të ngjashme.

KUJDES! Mos instalimi i vidhave ose i pajisjes fiksuese në përputhje me këto udhëzime, mund të rezultojë në rreziqe elektrike.

PËRDORIMI

Aspiratori është projektuar që të përdoret ose në versionin e shkarkimit ose për versionin e filtrimit.



Versioni i shkarkimit

Në këtë rast, tymrat përcillen jashtë ndërtesës nëpërmjet një tubi të veçantë, të lidhur me unazën e lidhjes të vendosur sipër aspiratorit.

Kujdes! Tubi i shkarkimit nuk furnizohet dhe duhet të blihet më vete. Diametri i tubit shkarkues duhet të jetë i barabartë me atë të unazës lidhëse.

Në funksionimin horizontal tubi i shkarkimit duhet të jetë pak i pjerrët (rreth 10°) dhe i drejtuar për lart, për të fryrë më lehtësisht ajrin nga dhoma në pjesën e jashtme.

Kujdes! Në rast se aspiratori është i furnizuar me filtër qymyri aktiv, atëherë ai duhet të hiqet.

Lidheni aspiratorin dhe në mure shponi vrima shkarkimi me një diametër të barabartë me daljen e ajrit (flanxhën lidhëse).

Përdorimi i tubave dhe vrimave të shkarkimit në mure me përmasa më të vogla do të shkaktojë zvogëlim të performancës së thithjes dhe një rritje drastike të zhurmës.

Për këtë arsye, çdo përgjegjësi në këtë drejtim refuzohet.

! Përdorni një tubacion me gjatësinë minimale të domosdoshme.

! Përdorni një tubacion me sa pak bërryla që të jetë e mundur (kënd maksimal i bërrylit: 90°)

! Shmangini ndryshimet drastike në seksionet kryq të tubacionit.

! Përdorni një tubacion sa më të rrafshët nga brenda.

! Tubacioni duhet të jetë prodhuar me material të çertifikuar.



Versioni i filtrit

Për këtë gjë është i nevojshëm një filtër qymyri aktiv dhe ai mund të merret nga shitësi juaj i zakonshëm.

Filtri heq yndyrën dhe erërat nga ajri i nxjerrë, përpara se ta kthejë atë përsëri në dhomë përmes rrjetit të sipërm të nxjerrjes.

INSTALIMI

Distanca minimale ndërmjet sipërfaqes mbështetëse për pajisjet e gatimit në pjanurë dhe pjesa më e ulët e aspiratorit duhet të jetë jo më pak se 50 cm nga sobat elektrike dhe 65 cm nga sobat me gaz ose të përziera.

Në rast se udhëzimet e instalimit për pllakën e gazit përcaktojnë një distancë më të madhe, ajo duhet të respektohet.



Lidhja elektrike

Furnizimi me energji elektrike duhet të përputhet me vlerësimin e treguar në pllakën e vendosur brenda aspiratorit. Në rast se është i pajisur me spinë, aspiratorin lidheni me një prizë në përputhje me rregulloret aktuale dhe pas instalimit vendoseni në një zonë të arritshme. Në rast se nuk është i pajisur me spinë (lidhje e drejtpërdrejtë me rrjetin elektrik) ose në rast se priza nuk gjendet në një zonë të arritshme, përdorni një çelës me dy pole në përputhje me standardet, që të sigurojë shkëputjen e plotë të rrjetit elektrik, në kushtet që lidhen me mbingarkesat e kategorisë III, në përputhje me udhëzimet e instalimit.

Kujdes! Përpara se të lidhni përsëri qarkun e aspiratorit me rrjetin elektrik dhe të kontrolloni funksionimin me efikasitet, gjithmonë kontrolloni që kabli elektrik të jetë montuar siç duhet.

Aspiratori është i pajisur me një kabllë të veçantë të energjisë; në rast se kabli është i dëmtuar, kërkonte një të ri nga Shërbimi Teknik.

Montimi

Produkt shumë i rëndë; mbajtja dhe instalimi i aspiratorit duhet të kryhet nga të paktën dy persona. Përpara fillimit të instalimit:

- Kontrolloni që produkti i blerë është i një madhësie të përshtatshme për zonën e zgjedhur për instalim.
- Hiqeni filtrin/at me qymyr (*) nëse janë furnizuar (shikojeni edhe paragrafin përkatës). Ky/këto është/janë për t'u montuar vetëm nëse doni të përdorni aspiratorin në versionin e filtrimit.
- Kontrolloni (për arsye transporti) që brenda aspiratorit nuk ka material tjetër të furnizuar (p.sh. pako me vidha (*), garanci (*), etj), për t'i hequr dhe mbajtur ato.
- Nëse është e mundur, shkëputeni dhe lëvizini sobën apo pjanurën nga hapësira e dollapit për të siguruar afrim më të lehtë në murin/tavanin e pasmë. Në të kundërt, vendosni një mbulesë mbrojtëse të trashë mbi sipërfaqen e banakut, mbi sipërfaqen e gatimit apo mbi sobë, për ta mbrojtur nga dëmtimet dhe mbeturinat. Për montimin e kësaj pajisjeje, zgjidhni një sipërfaqe të sheshtë. Këtë sipërfaqe mbulojeni me një mbulesë mbrojtëse dhe në të vendosni të gjitha pjesët e kapakut dekorativ të aspiratorit dhe pajisjen elektrike.
- Përveç kësaj, kontrolloni nëse afër zonës së instalimit të aspiratorit (në zonën e arritshme edhe me aspiratorin e montuar) është e disponueshme një prizë elektrike dhe është e mundur të lidhni një pajisje shkarkimi të tymrave në pjesën e jashtme (vetëm versioni me thithje).
- Kryeni të gjitha punimet e nevojshme të muraturës (p.sh. instalimin e një prizë elektrike dhe/ose një vrimë për kalimin e tubit të shkarkimit).

Bllokuesit për zgjerimin e murit janë furnizuar për të siguruar aspiratorin në shumicën e llojeve të mureve/tavaneve.

Megjithatë, një teknik i kualifikuar duhet të verifikojë përshtatshmërinë e materialeve në përputhje me llojin e murit/tavanit.

Muri/tavani duhet të jetë mjaftueshëm i fortë për të mbajtur peshën e aspiratorit. Këtë pajisje elektroshtëpiake, mos e kapni me tulla, me llaç apo me silikon në mur. Montojeni vetëm në sipërfaqe.

PËRDORIMI

Përdorni shpejtësinë e lartë të thithjes në rastet e avujve të përqendruar të kuzhinës. Rekomandohet që aspiratori i gatimit të ndizet për 5 minuta para gatimit, si dhe të lihet në punë gjatë gatimit dhe përafërsisht 15 minuta të tjera pas përfundimit të gatimit.

Kontrollet mekanike



○ Shtypni butonin "Light" për të ndezur dritën (ON). Shtypni përsëri për të fikur dritën (OFF).

⊕ Shtypni butonin "Speed 1" për të nisur motorin me shpejtësinë 1.

⊕ Shtypni butonin "Speed 2" për të nisur motorin me shpejtësinë 2.

⊕ Shtypni butonin "Speed 3" për të nisur motorin me shpejtësinë 3.

○ Shtypni butonin "Switch Off" për të fikur motorin.

Kontrollet me prekje



Kur aspiratori është i lidhur me furnizimin me energji elektrike, aspiratori do të jetë në modalitetin e gatishmërisë dhe vetëm butoni "On/Off" dhe butoni "Light" do të jenë gjysmë të ndriçuar. Butonat nga shpejtësitë 1-3 nuk janë të ndriçuar dhe nuk është e mundur të përzgjidhen.

🔌 Shtypni butonin "On/Off" për të filluar përzgjedhjen e shpejtësive të motorit. Kur përzgjidhet butoni "On/Off", shpejtësitë 1-3 janë gjysmë të ndriçuara.

🔌 Shtypni butonin "Speed 1" për të nisur motorin me shpejtësinë 1.

🔌 Shtypni butonin "Speed 2" për të nisur motorin me shpejtësinë 2.

🔌 Shtypni butonin "Speed 3" për të nisur motorin me shpejtësinë 3.

🔌 Shtypni butonin "Light" për të ndezur dritën (ON). Shtypeni përsëri për të fikur dritën (OFF).

MIRËMBAJTJA

KUJDES! Përpara se të kryeni çfarëdo operacion mirëmbajtjeje, izoloheni aspiratorin nga furnizimi elektrik duke e fikur lidhësin dhe duke hequr siguresën e lidhësit.

Ose, në rast se pajisja është lidhur nëpërmjet një spine dhe prize, atëherë spina duhet të hiqet nga priza.

Pastrimi

Aspiratori duhet të pastrohet rregullisht (të paktën me të njëjtën shpeshtësi me të cilën kryeni mirëmbajtjen e filtrit të yndyrnave) nga brenda dhe nga jashtë. Pastroni duke përdorur një leckë të lagur me detergjent neutral të lëngshëm. Mos përdorni produkte gërryese. **MOS PËRDORNI ALKOOL!**

KUJDES: Pamundësia për të zbatuar rekomandimet bazë për pastrimin e aspiratorit dhe për zëvendësimin e filtrave mund të shkaktojë rrezik zjarri. Për këtë arsye, ne rekomandojmë zbatimin e këtyre udhëzimeve. Prodhuesi refuzon të gjitha përgjegjësitë për çdo dëmtim të motorit ose çfarëdo dëmtim nga zjarri që lidhet me mirëmbajtjen e papërshtatshme ose me moszbatimin e rekomandimeve të mësipërme për sigurinë.

Filtrat

Pjesët ku mbahet **Filtri metalik për yndyrnat** kap grimcat e yndyrës së gatimit. Filtri i yndyrnave duhet të pastrohet një herë në muaj duke përdorur detergjente jo agresive ose me dorë ose në pjatatarëse, e cila duhet të vendosen në një temperaturë të ulët dhe në një cikël të shkurtër. Kur lahet në pjatatarëse, filtri i yndyrnave mund të humbasë ngjyrën, por kjo nuk ndikon në kapacitetin e tij filtrues. Për të hequr filtrin e yndyrnave, tërhiqeni dorezën e lirim të sustës.

Filtri i yndyrës prej letre (sintetike) duhet të zëvendësohet të paktën çdo dy muaj ose kurdoherë që ngjyra bëhet e dukshme përmes vrimave të rretës. Filtri i letres është i ngjyrosur në njërin anë. Kur filtri është i instaluar, kjo ngjyrë nuk duhet të jetë e dukshme përmes vrimave të rretës.

Filtri me qymyr (vetëm në variantin me filtër) thith erërat e pakëndshme të shkaktuara nga gatimi. Mbushja (ngopja) e filtrit me qymyr ndodh pas përdorimit të zgjatur, në varësi të llojit të gatimit dhe rregullshmërisë së pastrimit të filtrit të yndyrnave. Sidoqoftë, është e nevojshme që të paktën çdo katër muaj të zëvendësohet pjesa e filtrit që mban qymyrin. Filtri i qymyrit NUK mund të lahet ose rigjenerohet.

Zëvendësimi i llampave

Aspiratori është i pajisur me një sistem ndriçimi të bazuar në teknologjinë LED. LED-ët garantojnë një ndriçim optimal, një kohëzgjatje deri në 10 herë më shumë se llampat tradicionale dhe mundësojnë kursimin e deri në 90% të energjisë elektrike. Në rast të keqfunksionimit të sistemit të ndriçimit kontakti shërbimin teknik.

Këshilla për kursimin e energjisë

- 1) Kur të filloni gatimin, ndizeni aspiratorin e kuzhinës në shpejtësinë minimale, për të kontrolluar lagështirën dhe për të hequr erën e gatimit.
- 2) Shkulmin e shpejtësisë përdoreni vetëm kur është domosdoshmërisht i nevojshëm.
- 3) Rriteni nivelin e shpejtësisë së aspiratorit vetëm kur sasia e avullit e bën të nevojshme.
- 4) Mbajeni filtrin(at) e aspiratorit të pastër, për të optimizuar efikasitetin e yndyrnave dhe erërave.