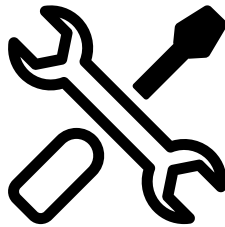
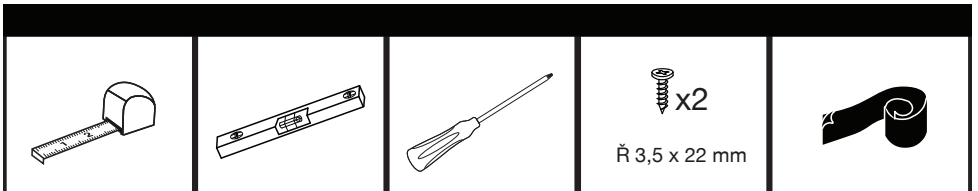
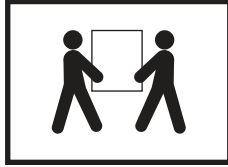
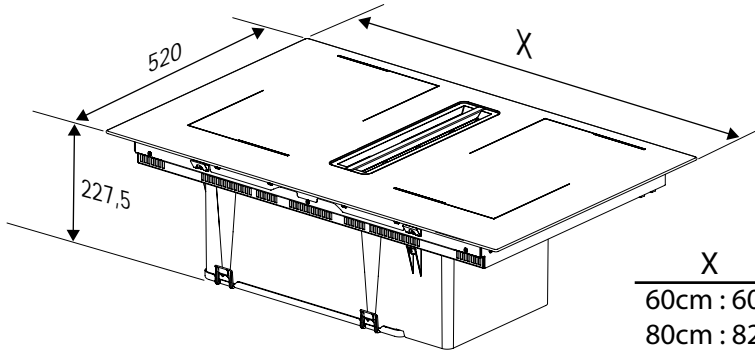


Installation Instructions



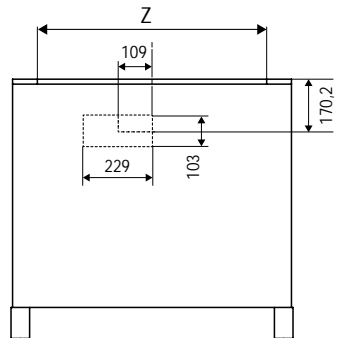
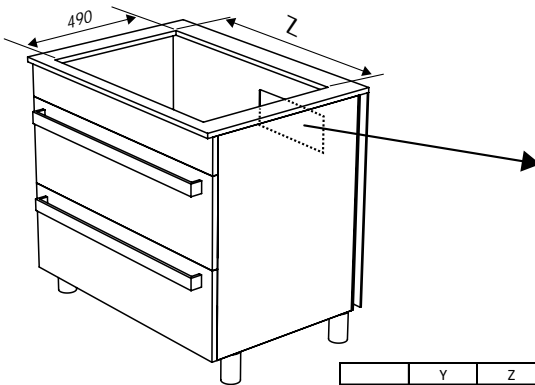
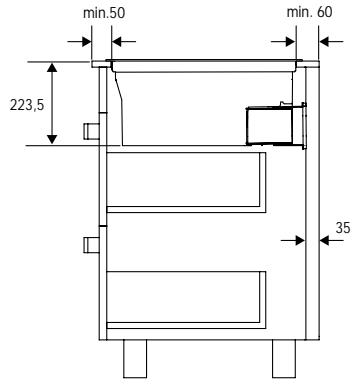
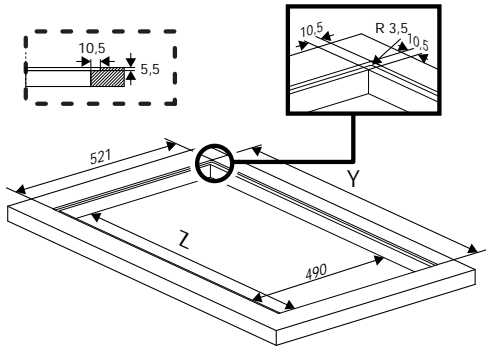


1



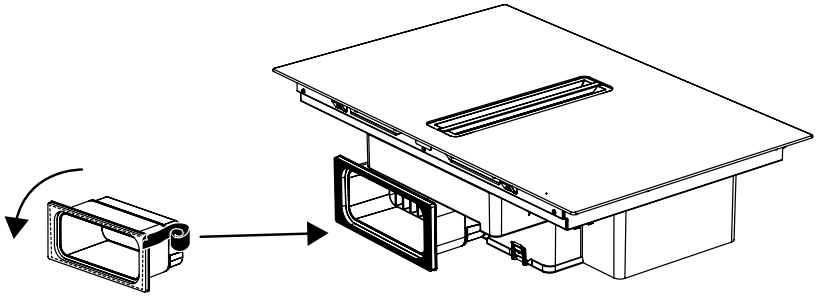
X
 60cm : 600
 80cm : 820

A2

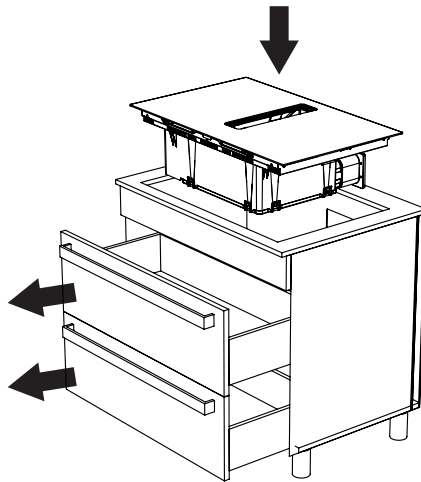


	Y	Z
60 cm	601	560
80 cm	821	740

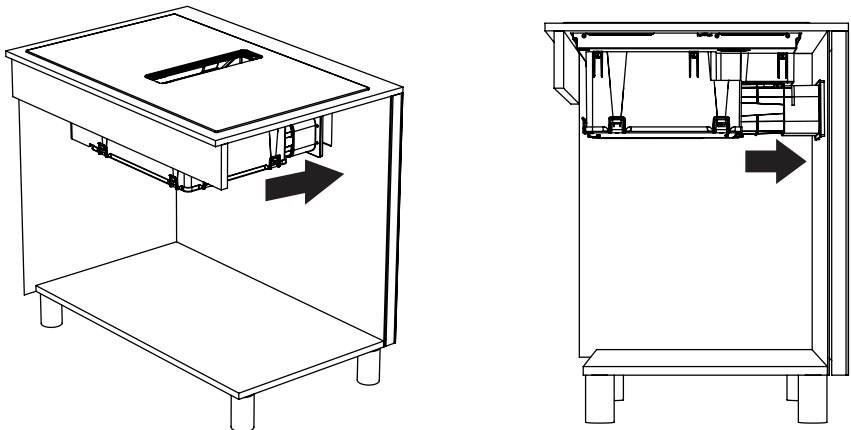
A3



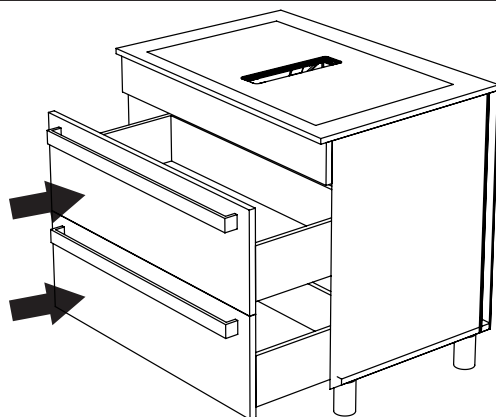
A4



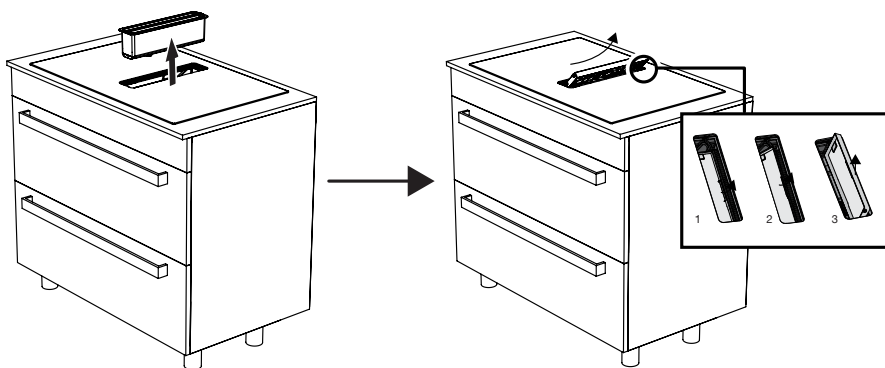
A5



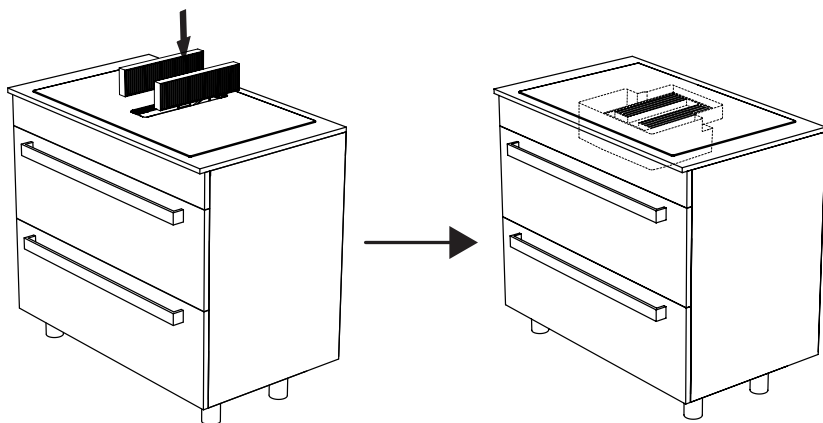
A6



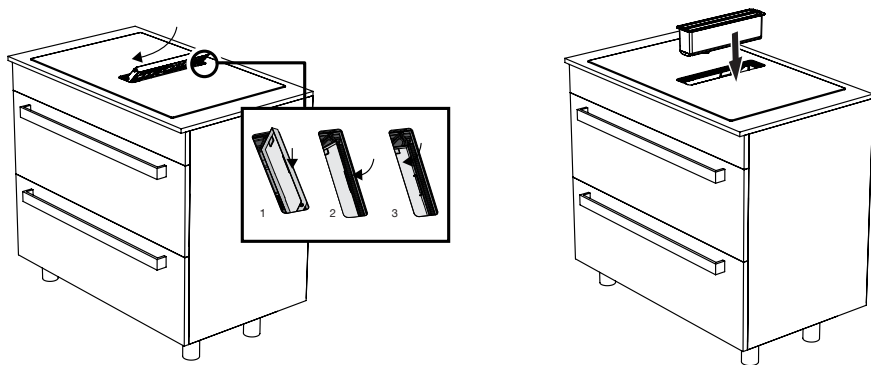
A7



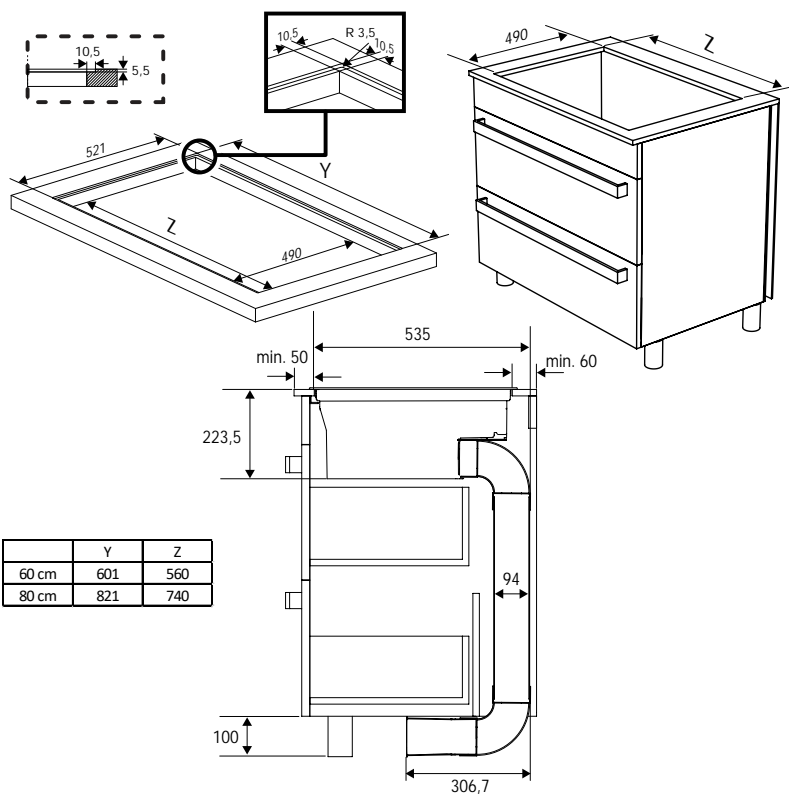
A8



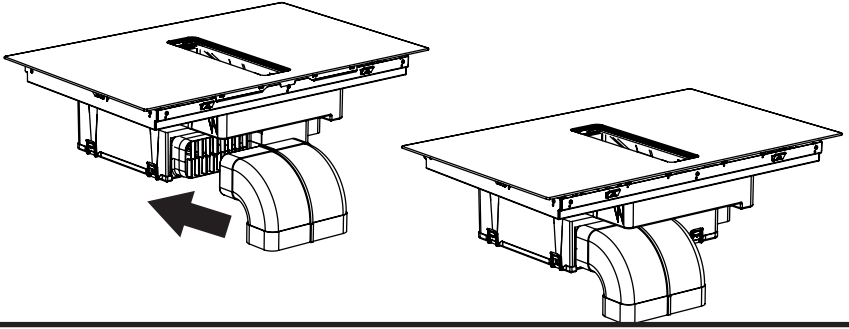
A9



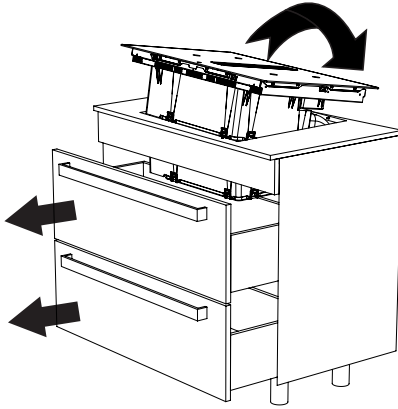
B2



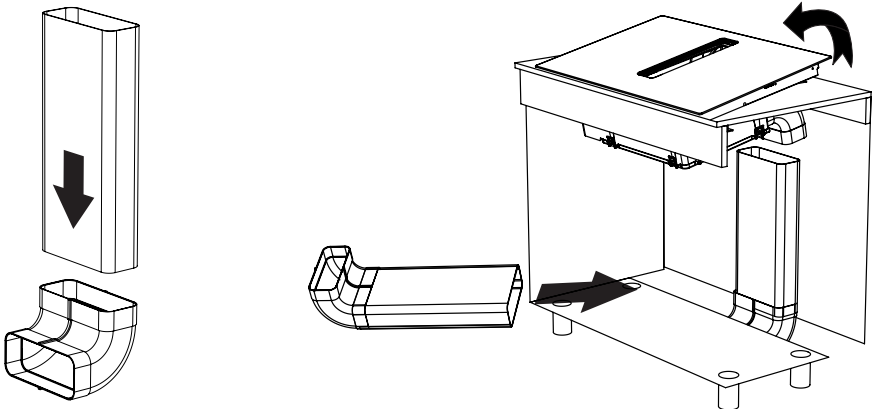
B3



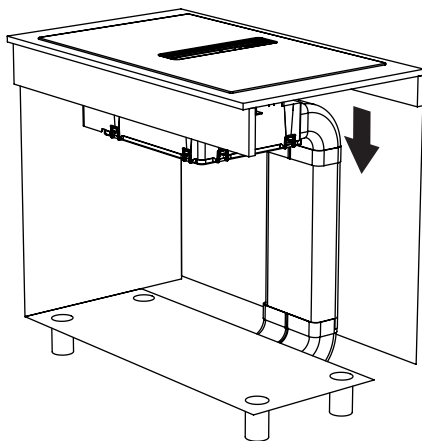
B4



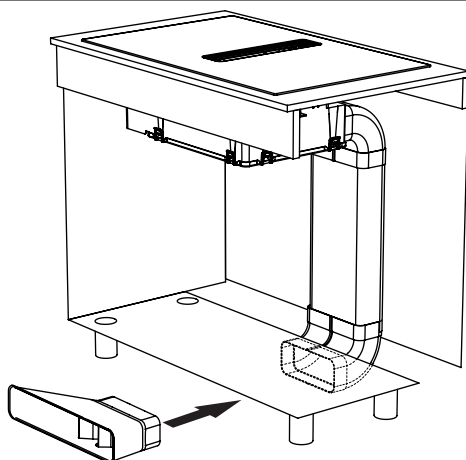
B5



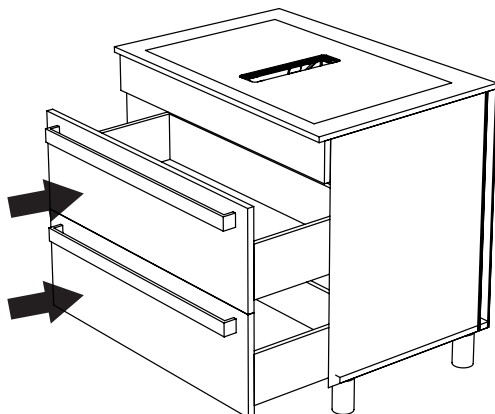
B6



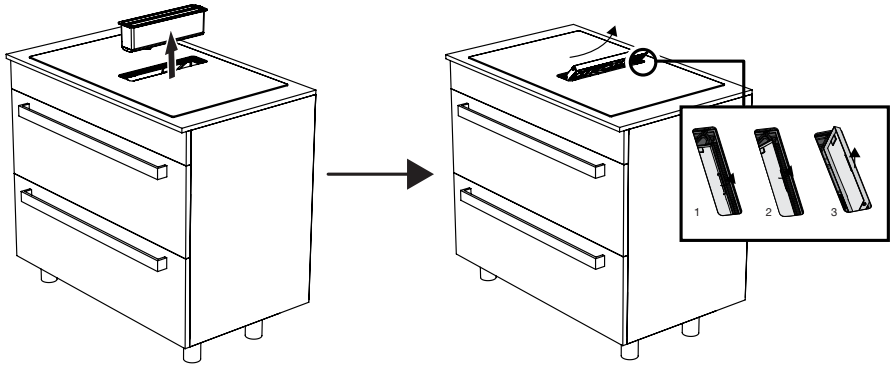
B7



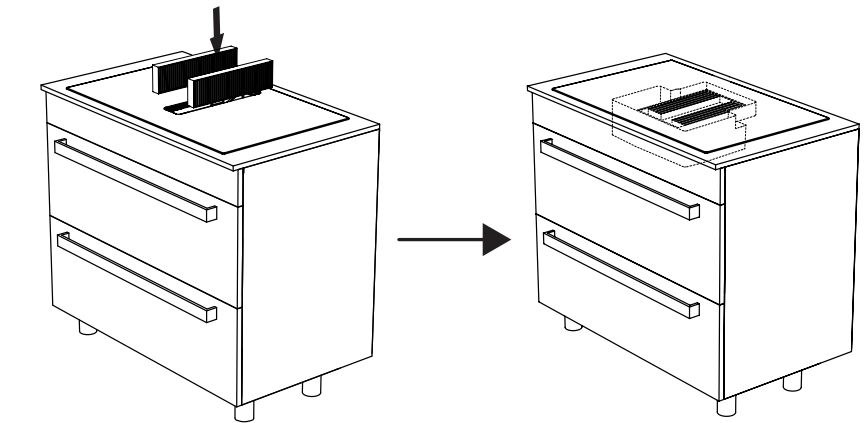
B8



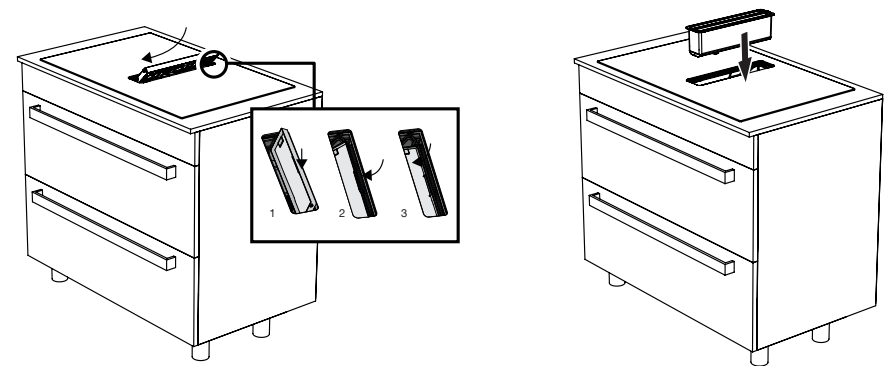
B9

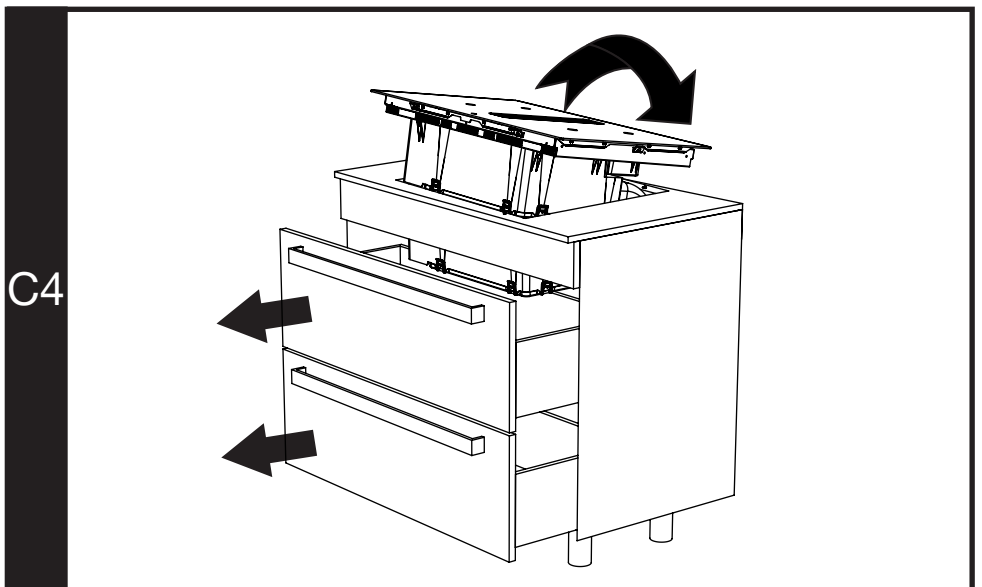
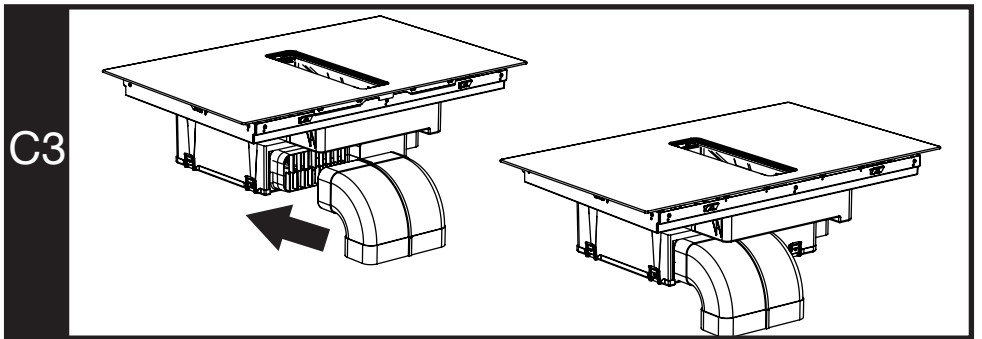
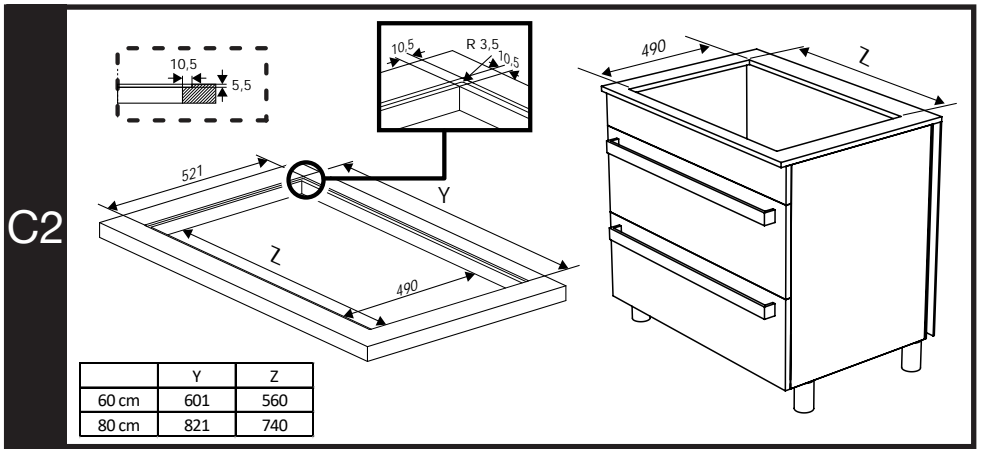


B10

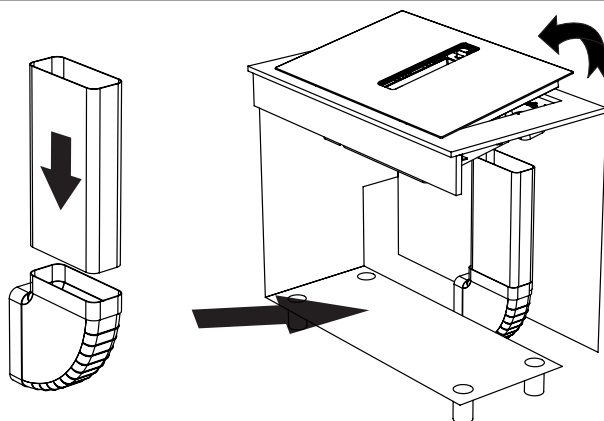


B11

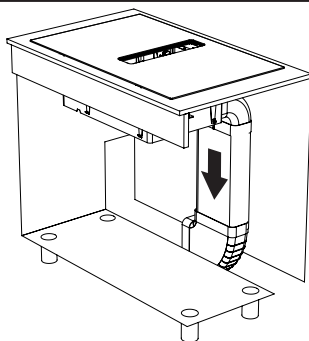




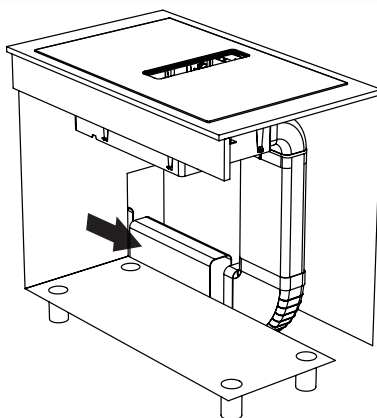
C5



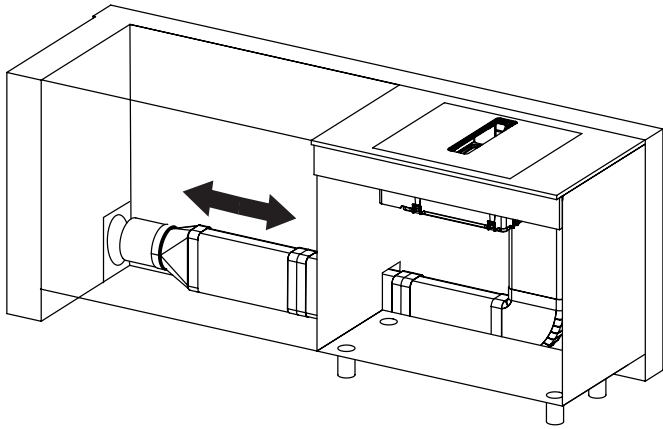
C6



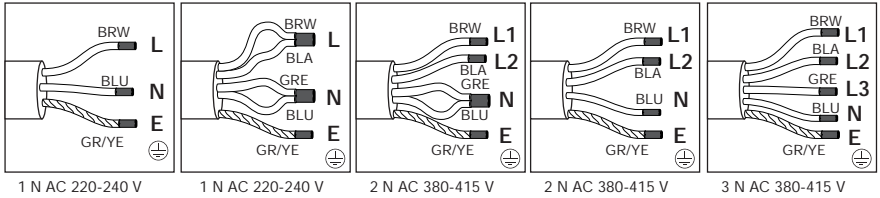
C7
















C8



E



	X1	X2
	4043007	158265028
	4022039	158265033
	4022040	158265034
	4022029	158265035

	X1	X2
	4022038	158265036
	4022012	158265037
	4043001	158265025
	4043005	158265026
	4043003	158265029
	4043002	158265030
	4043004	158265024
	4043006	158265031
	4043042	158265032

(üzerinde olmamalıdır). Bu talimata uyulmaması, ürünün çalışmasıyla ilgili sorunlara ve garantisinin geçersiz hale gelmesine neden olabilir.

- Kaçak akım devre kesicisi ile ilave koruma sağlanması tavsiye edilir.


Ürününüz kablolu ve fişli ise:

- Ürününüzün fişini topraklı bir prize takarak elektrik bağlantısını yapın.

Ürününüz kablolu ve fişsiz ise:

- Ürününüzün kablosunun tipine göre aşağıda belirtildiği gibi şebekeye bağlayın. Ürününüzdeki kablo tipi kullanma kılavuzunun "Teknik özellikler" bölümünde belirtilmektedir.


Kablonuzun tipi 3 iletkenli ise 1 fazlı bağlantı için:

- (BRW) Kahverengi = L (Faz)
- (BLU) Mavi = N (Nötr)
- (GR/YE) Yeşil/sarı kablo = (E) 

(Topraklama)


Kablonuzun tipi 5 iletkenli ise 1 fazlı bağlantı için:

Tek faz bağlantı için

- (BRW/BLA) Kahverengi/Siyah = L (Faz)
- (BLU/GRE) Mavi/Gri = N (Nötr)
- (GR/YE) Yeşil/sarı kablo = (E) 


(Topraklama)

Kablonuzun tipi 5 iletkenli ise 2 fazlı bağlantı için:

- (BRW) Kahverengi = L1 (Faz)
- (BLA) Siyah = L2 (Faz)
- (BLU/GRE) Mavi/Gri = N (Nötr)
- (GR/YE) Yeşil/sarı kablo = (E) 


(Topraklama)

Kablonuzun tipi 4 iletkenli ise 2 fazlı bağlantı için:

- (BRW) Kahverengi = L1 (Faz)
- (BLA) Siyah = L2 (Faz)
- (BLU) Mavi = N (Nötr)
- (GR/YE) Yeşil/sarı kablo = (E) 

(Topraklama)

Kablonuzun tipi 5 iletkenli ise 3 fazlı bağlantı için:

- (BRW) Kahverengi = L1 (Faz)
- (BLA) Siyah = L2 (Faz)
- (GRE) Gri = L3 (Faz)
- (BLU) Mavi = N (Nötr)
- (GR/YE) Yeşil/sarı kablo = (E) 

(Topraklama)

Ürünün yanma güvenilirliği için;

- Ark oluşturmaması için, ürün fişinin prize iyice sabitlendiğinden emin olun.
- Orijinal kablo dışında kesik veya hasarlı kablo veya ara kablo kullanmayın.
- Ürün fişinin takıldığı prize devre sıvı veya nem olmamasına dikkat edin.

Son kontrol

- Kurulum tamamlandıktan sonra, şebeke elektriğini açın.
- Ürünün ilk kullanımı için kullanma kılavuzunu okuyun.
- Her bir pişirme gözünün ısıtma yaptığandan ve halavandırmanın çalıştığından emin olunmalıdır.

EN- Safety Instructions

- The appliance shall be installed by a qualified person in accordance with the regulations in force to keep the warranty applicable. The manufacturer shall not be held responsible for damages arising from procedures carried out by unauthorized persons which will also void the warranty.
- It is customer's responsibility to prepare the location the appliance shall be placed on and to have the electrical installation prepared. Before calling Authorized Service, make sure the electrical infrastructure is suitable. If it is not, call a qualified electrician and fitter to have the required arrangements made.
- The rules in local electrical installation standards shall be followed during product installation.
- Remove all packaging materials and documents inside the appliance and check for any damage on the appliance before the installation. Do not have it installed if the appliance is damaged.
- The product is heavy, carry the product with at least two people.
- Make sure that the user cannot reach the electrical connections after the installation.
- Failing to install the screws and securing equipments in accordance with the guide may cause electrical danger.
- Parts that you may be in touching distance during the installation may have sharp edges and may cause

cut injuries. Therefore always wear protective gloves during transport and installation.

- Disconnect electrical connections in the area of installation before starting the installation.
- Surfaces of the furniture that the appliance shall be installed shall be heat resistant (100 °C minimum).
- Make sure that the furniture is in straight, horizontal position and that it is fixed before the installation of the appliance.
- Do not install heat insulation strips to the furniture that the appliance shall be installed.
- The air to be expelled from the product should not be fed into a chimney used by other appliances burning gas or other fuels. (not applicable for appliances that discharge air back into the room).
- Legislation regarding the evacuation of air must be complied with.
- Poisoning Danger! While the appliance is operating, air is drawn from the whole house. If adequate ventilation is not provided, air flow occurs and the waste and toxic gases released as a result of combustion in the house are reabsorbed. Do not operate the product together with products that provide air circulation and may emit toxic gas (wood, gas, oil and coal stoves, boilers, water heaters, etc.).
- Have the adequacy of your building's ventilation and chimney system checked by authorized persons.
- If there is another appliance operating with energy other than electrical energy in the same environment with ventilation, the negative pressure in the room should be at most 0.04 mbar so that the exhaust of the other appliance is not drawn back into the room by the ventilation.
- Dimensions given in installation diagrams are in mm.
- The air to be expelled from the ventilation should not be fed into a chimney used by other appliances burning gas or other fuels. (not applicable for appliances that discharge air back into the room).

- Legislation regarding the evacuation of air must be complied with.
- Oil sludges may form on metal oil filters. For that reason, there should not be any flame near the product. In addition, installation of the product near a heating equipment using solid fuel is only permitted if there is a non-removable closed cover to prevent sparks.
- Our company shall not be responsible for problems that arise for not observing any of the warnings above.
- The product manufacturer does not accept any responsibility for the defects caused by the ventilation pipes used in the installation.
- The air outlet pipe to be used should be as short as possible, straight and should have a large diameter.
- Long air outlet pipes, multiple pipe bends or small pipe diameters reduce ventilation performance and increase fan noise.
- The air outlet pipe must be made of non-combustible material.
- The air outlet pipe should be installed with an inclination of 1 degree to prevent the return of condensation.

Product dimensions (Figure 1)

Pay attention to the product dimensions. Consider its suitability with your furniture. Your product is suitable for 3 different types of installation according to the suitability of your furniture. A, B and C type installations are described respectively.

A : Installation without internal circulation shaft

B : Installation with internal circulation shaft

C : Installation with external circulation

A type installation (Installation without internal circulation shaft)

Preparation of the furniture on which installation will be made: (Figure A2)

Prepare your furniture according to the dimensions presented in Figure A2. Cut dimensions for flush-fit installation are also indicated in Figure A2.

Steps for A type installation

- Remove the tape on the countertop plastic described in Figure A3, and place it in its slot on the back of the hob as shown in the figure.
- Completely remove the drawers of your furniture and place your stove in its place on your furniture. (Figure A4)
- Stick the countertop plastic on the wall by pulling it towards the wall through the gap you have opened in your furniture. (Figure A5)
- Put your drawers back in place. (Figure A6)
- Remove the metal oil filter by pulling it upwards. (Figure A7)
- Remove the liquid collection chamber as shown in the figure A7.
- Place two units of active carbon filters to right and left as shown in figure A8.
- Place back the liquid collection chamber as shown in the figure A9. Complete the installation by placing back the metal oil filter.

B type installation (Installation with internal circulation shaft)

Preparation of the furniture on which installation will be made: (Figure B2)

Prepare your furniture according to the dimensions presented in Figure B2. Cut dimensions for flush-fit installation are also indicated in Figure B2. You need to obtain the plastic parts of the air guide described in this installation from the authorized service or authorized dealers. These parts are not supplied with the product.

Steps for B type installation

- Place the ventilation corner plastic described in Figure B3 in its slot on the back of the hob as shown in the figure.
- Completely remove the drawers of your furniture and place your stove by tilting it into its place on your furniture. (Figure A4)
- Attach the long and corner plastics of ventilation that will direct the air to the bottom of the furniture, and attach them to the corner plastic you have attached to the back of the stove as shown in figure B5. In order to attach it to the corner plastic, you need to lift the

hob a little from the back. Ventilation plastic parts must have been mounted as shown in figure B6.

- Attach the ventilation outlet bit to the ventilation corner plastic from the bottom of your furniture as shown in figure B7.
- Put your drawers back in place. (Figure B8)
- Remove the metal oil filter by pulling it upwards. (Figure B9)
- Remove the liquid collection chamber as shown in figure B9.
- Place two units of active carbon filters to right and left as shown in figure B10.
- Place back the liquid collection chamber as shown in figure B11. Complete the installation by placing back the metal oil filter.

C type installation (Installation with external circulation)

Preparation of the furniture on which installation will be made: (Figure C2)

Prepare your furniture according to the dimensions presented in Figure C2. Cut dimensions for flush-fit installation are also indicated in Figure C2. You need to obtain the plastic parts of the air guide described in this installation from the authorized service or authorized dealers. These parts are not supplied with the product.

Steps for C type installation

- Place the ventilation corner plastic described in Figure C3 in its slot on the back of the hob as shown in the figure.
- Completely remove the drawers of your furniture and place your stove by tilting it into its place on your furniture. (Figure C4)
- Attach the long and corner plastics of ventilation that will direct the air to the bottom of the furniture, and attach them to the corner plastic you have attached to the back of the stove as shown in figure C5. In order to attach it to the corner plastic, you need to lift the hob a little from the back. Ventilation plastic parts must have been mounted as shown in figure C5.
- Reach at your chimney using ventilation parts in accordance with its location.

- Ventilation parts that you can obtain from authorized service or authorized dealers are given in the table on pages 12-13. The X1 column given in the table includes “Naber” company codes, the X2 column includes the codes of our authorized service.

Electrical connection of the appliance (Figure E)

- Connect the appliance to a grounded outlet/line protected by a fuse that is compatible with the values in the “Technical specifications” table. Have the grounding installation made by a qualified electrician while using the product with or without a transformer. Our company shall not be liable for any problems arising due to the product not being earthed in accordance with the local regulations.
- Disconnect the appliance from the electric connection before starting any work on the electrical installation. Risk of electric shock.
- The appliance may only be connected to the mains electricity connection by an authorized and qualified person. The manufacturer shall not be held responsible for any damages that may occur as a result of operations performed by unauthorized persons.
- The appliance must be installed in a way that it can be completely disconnected from the mains supply. The disconnection shall be provided by a switch built into the fixed electrical installation, according to the construction regulations.
- The bottom surface of the cooker gets hot, too, when it is in use. Electrical connections shall not contact the bottom surface, otherwise the connections may be damaged.
- Do not pass the connection cables over the hot surfaces. Otherwise, cable insulation may melt and cause fire as a result of short circuit of the cooker. If the electric cable is damaged, it must be replaced by a qualified electrician. Otherwise there is a risk of electric shock, short circuit or fire hazard!
- While performing the wiring, you shall comply with the national/local

electrical regulations and shall use the appropriate socket outlet/line and plug for the cooker. In case the product's power limits exceed the current carrying capability of plug and socket outlet/line, the product must be connected to the fixed electrical installation directly without using plug and socket outlet/line.

- Make sure that fuse rating is compatible with the product.
- Connection must comply with national regulations.
- The mains supply data must correspond to the data specified on the type label of the product. You may see the type label on the bottom of the cooker.
- Power cable of your product must comply with the values presented in “Technical specifications” section.
- **If the appliance shall be directly connected to the mains:** If it is not possible to disconnect all poles in the mains supply, a disconnection unit with at least 3 mm contact clearance (fuse, line safety switch, contactor) shall be connected and all the poles of this disconnection unit shall be adjacent to (not above) the appliance in accordance with IEE directives. Failure to obey this instruction may cause operational problems and invalidate the product warranty.
- Additional protection by a residual current circuit breaker is recommended.


If your appliance has a cord and plug:

- Perform the electrical connection of your appliance by plugging it to a grounded socket.


If your appliance has a cord, but does not have a plug:

- Connect your appliance to the mains as specified below as per the cord type. The cord type of your appliance is specified in the “Technical Specifications” section of the operation manual.


If your cord type is 3-conductor type, for 1-phase connection:

- (BRW) Brown = L (Phase)
 - (BLU) Blue = N (Neutral)
 - (GR/YE) Green/yellow wire = (E) 
- (Earthing)


If your cord type is 5-conductor type, for 1-phase connection:

- For single phase connection
- (BRW/BLA) Brown/Black = L (Phase)
 - (BLU/GRE) Blue/Grey = N (Neutral)
 - (GR/YE) Green/yellow wire = (E) 
- (Earthing)


If your cord type is 5-conductor type, for 2-phase connection:

- (BRW) Brown = L1 (Phase)
 - (BLA) Black = L2 (Phase)
 - (BLU/GRE) Blue/Grey = N (Neutral)
 - (GR/YE) Green/yellow wire = (E) 
- (Earthing)

If your cord type is 4-conductor type, for 2-phase connection:

- (BRW) Brown = L1 (Phase)
 - (BLA) Black = L2 (Phase)
 - (BLU) Blue = N (Neutral)
 - (GR/YE) Green/yellow wire = (E) 
- (Earthing)

If your cord type is 5-conductor type, for 3-phase connection:

- (BRW) Brown = L1 (Phase)
 - (BLA) Black = L2 (Phase)
 - (GRE) Grey = L3 (Phase)
 - (BLU) Blue = N (Neutral)
 - (GR/YE) Green/yellow wire = (E) 
- (Earthing)

For the protection of the appliance against burning:

- Make sure that the product plug is securely plugged into the outlet to avoid arcing.
- Do not use damaged cables or extension cables.
- Ensure there is no liquid or moisture on the socket where the product plug is connected.

Final inspection

- After completing the installation, turn on the mains supply.
- Read the operation manual for the first operation of the appliance.
- Ensure that each cooking hob heats and ventilation works.

DE- Sicherheitshinweise

- Das Gerät muss von einer qualifizierten Person in Übereinstimmung mit den geltenden Vorschriften installiert werden, damit die Garantie gültig bleibt. Der Hersteller ist nicht verantwortlich für Schäden, die durch von nicht autorisierten Personen durchgeführte Verfahren entstehen, die auch zum Erlöschen der Garantie führen können.
- Es liegt in der Verantwortung des Kunden, den Ort, an dem das Gerät aufgestellt werden soll, vorzubereiten und die Elektroinstallation vorbereiten zu lassen. Bevor Sie den autorisierten Kundendienst anrufen, vergewissern Sie sich, dass die elektrische Infrastruktur geeignet ist. Sollte diese nicht der Fall sein, lassen Sie von einem qualifizierten Techniker und Installateur die notwendigen Arbeiten ausführen.
- Bei der Produktinstallation sind die Regeln der örtlichen Elektroinstallationsnormen zu befolgen.
- Entfernen Sie sämtliches Verpackungsmaterial und alle Dokumente im Inneren des Geräts und überprüfen Sie das Gerät vor der Installation auf eventuelle Schäden. Installieren Sie das Gerät nicht, wenn das Gerät beschädigt ist
- Das Gerät ist schwer, Sie brauchen also mindestens einen zusätzlichen Helfer.
- Stellen Sie sicher, dass der Benutzer nach der Installation die elektrischen Anschlüsse nicht erreichen kann.
- Wenn die Schrauben und Befestigungsvorrichtungen nicht gemäß der Anleitung installiert werden, können elektrische Gefahren entstehen.
- Teile, die Sie während der Installation möglicherweise in Berührungsentfernung haben, können scharfe Kanten haben und Schnittverletzungen verursachen. Deshalb raten wir immer zum Tragen von Schutzhandschuhen während des Transports und der Installation.
- Trennen Sie die elektrischen Verbindungen im Bereich der Installation, bevor Sie mit der Installation beginnen.